

PARTS LIST

[KD-AV7010]

* All printed circuit boards and its assemblies are not available as service parts.

Area suffix

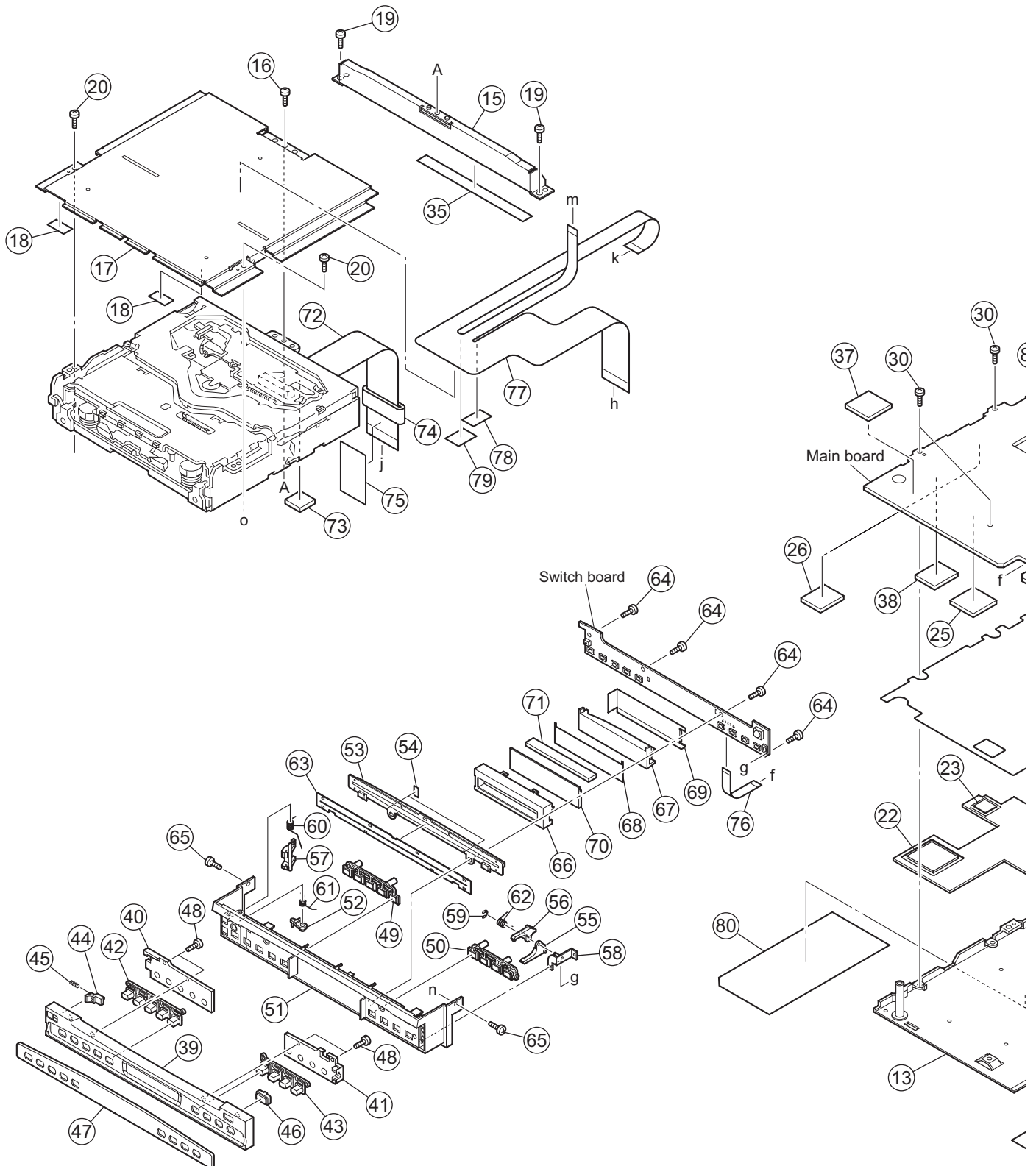
J ----- Northern America

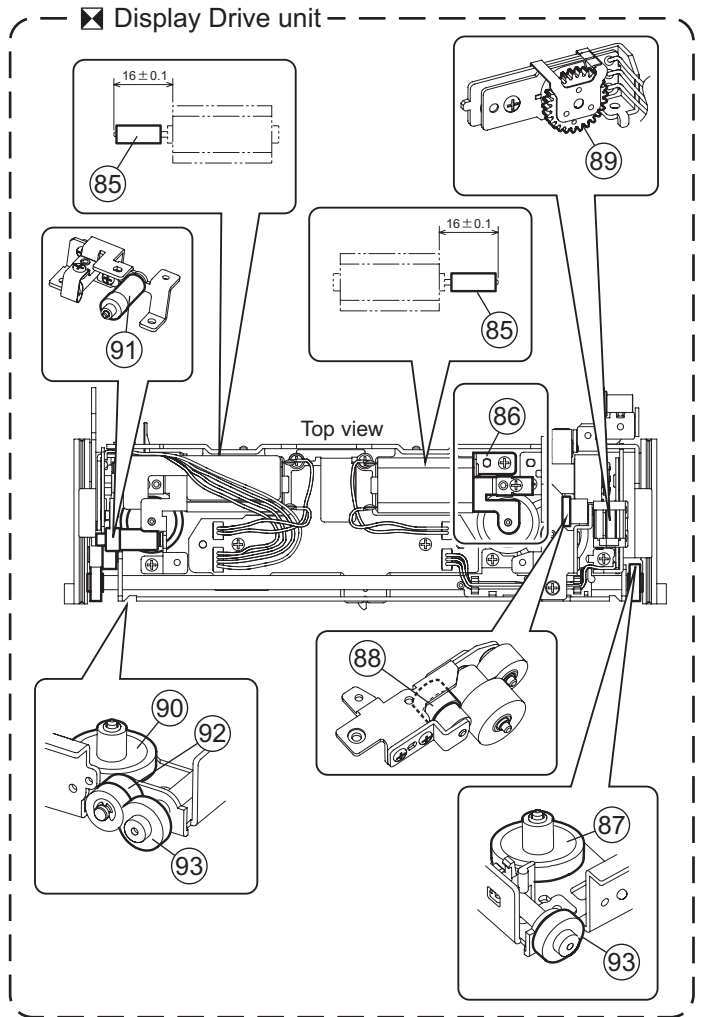
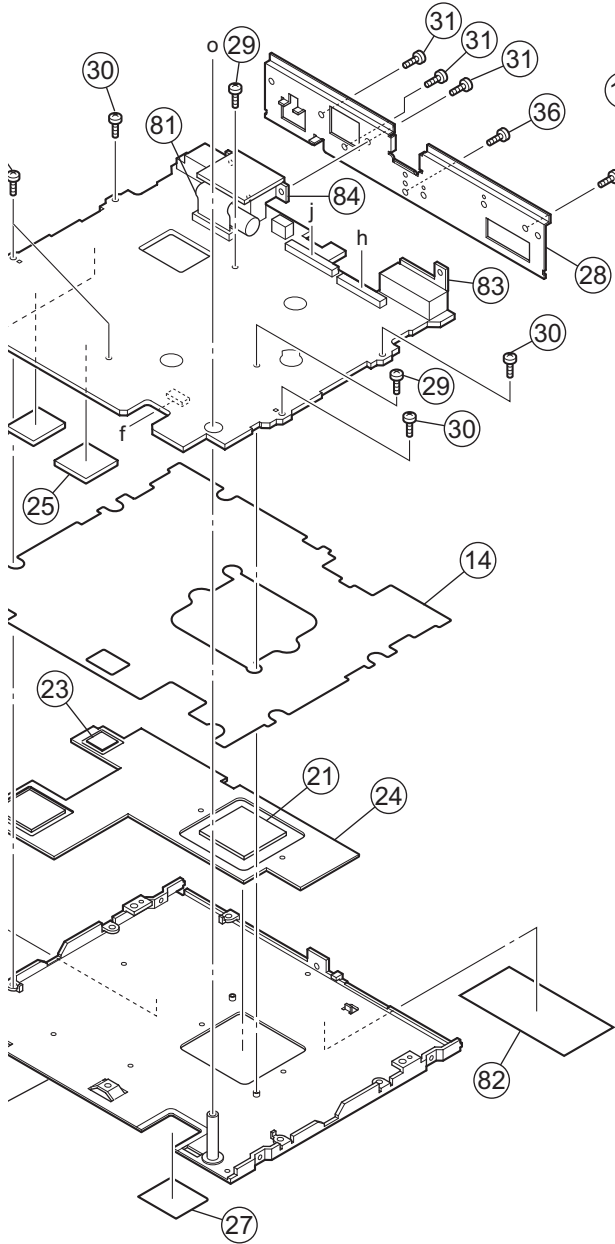
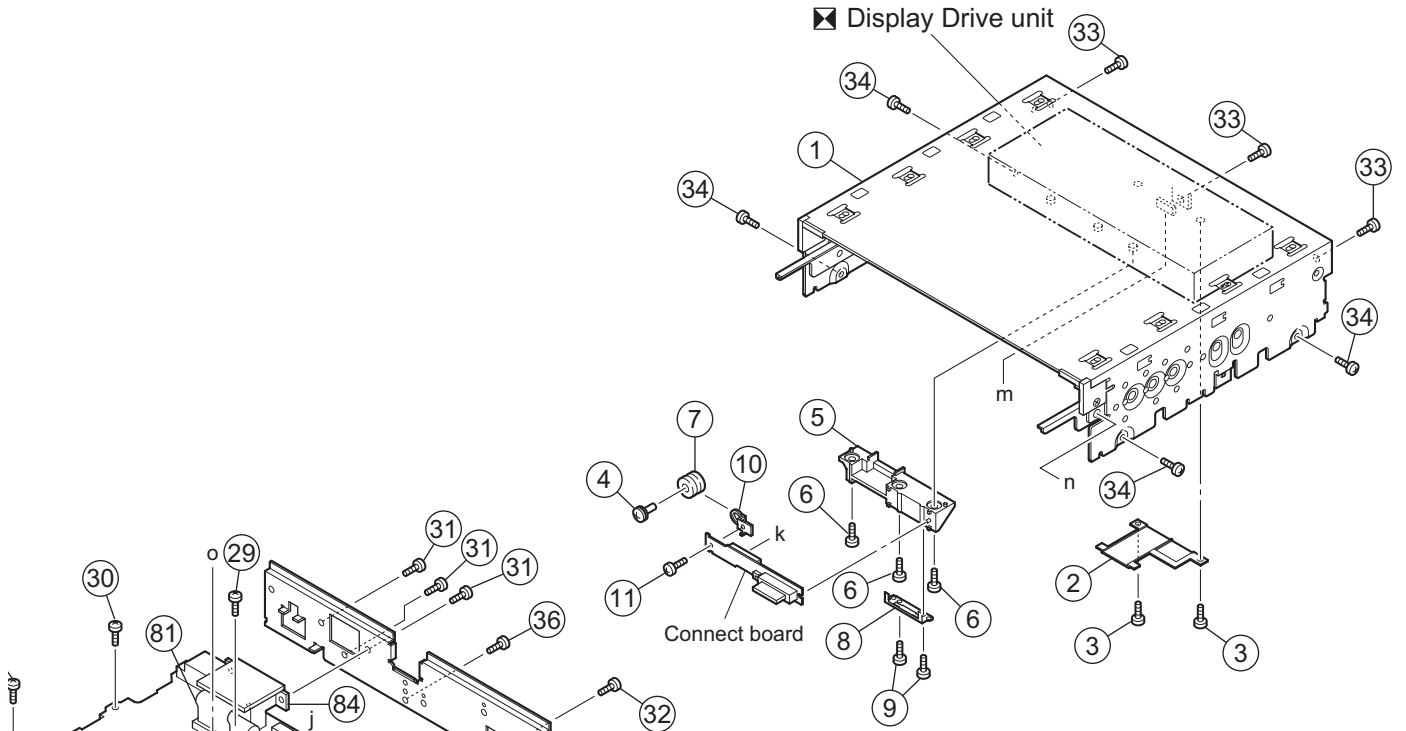
- Contents -

Exploded view of general assembly and parts list (Block No.M1)	3-2
Hideaway assembly and parts list (Block No.M2)	3-6
Monitor assembly and parts list (Block No.M4)	3-8
DVD mechanism assembly and parts list (Block No.MJ)	3-10
Electrical parts list (Block No.01~06)	3-13
Packing materials and accessories parts list (Block No.M3)	3-36

Exploded view of general assembly and parts list

Block No. M 1 M M





General Assembly

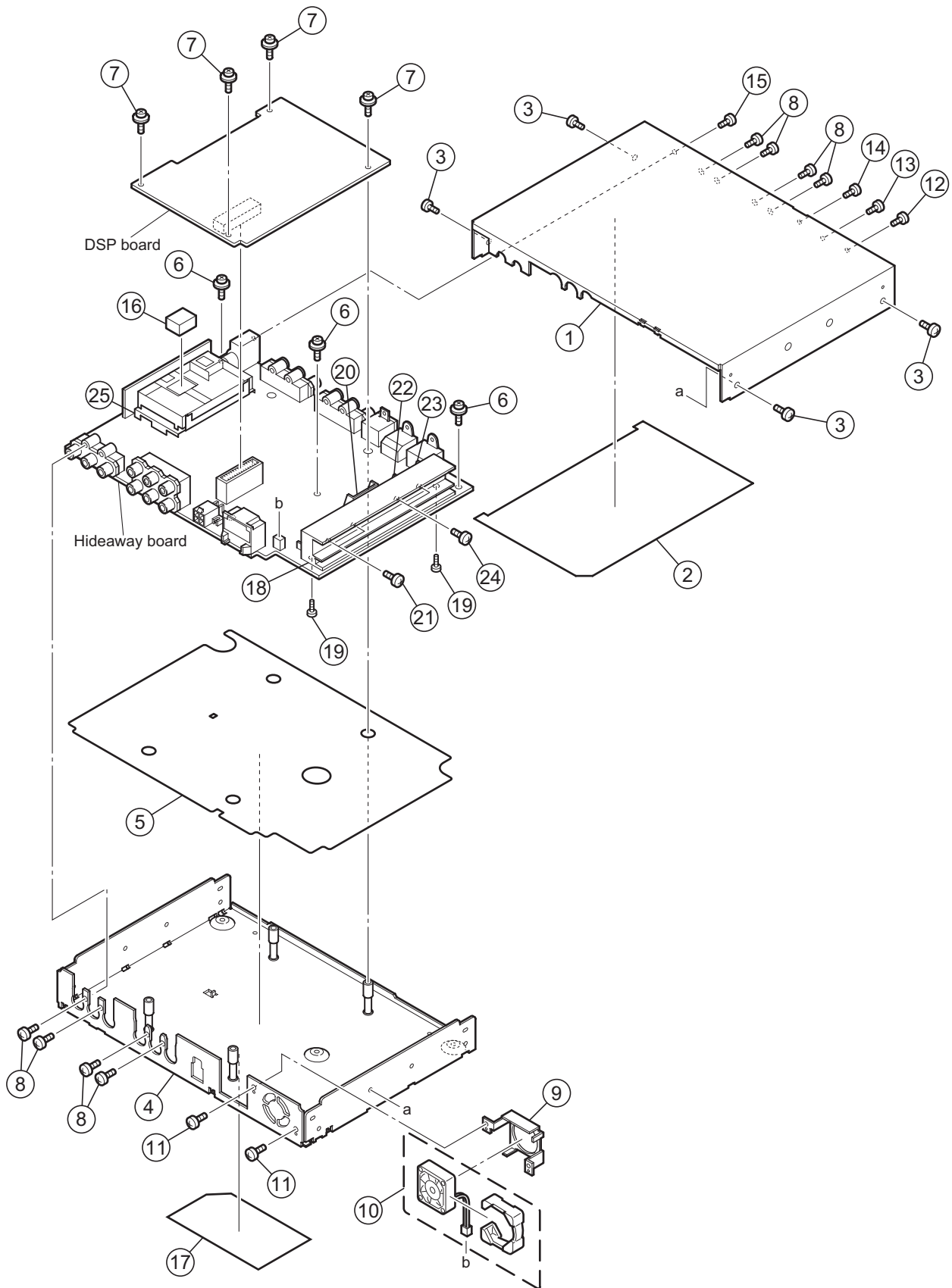
Block No. [M][1][M][M]

△	Symbol No.	Part No.	Part Name	Description	Local
	1	LV10946-004A	TOP DRIVE UNIT		
	2	LV34862-002A	F.P.C.GUIDE		
	3	LV44159-001A	SCREW	M2 x 3mm(x2)	
	4	LV43745-001A	SPECIAL SCREW		
	5	LV34867-001A	PWB BASE		
	6	LV44159-001A	MINI SCREW	(x3)	
	7	LV43747-001A	INSULATOR		
	8	LV43748-002A	CN GUIDE		
	9	QYSSSFT1760ZA	TAP SCREW	M1.7 x 6mm(x2)	
	10	LV43749-001A	INSULATOR BKT		
	11	VKZ4539-055	MINI SCREW		
	13	LV34885-006A	B.CHASSIS ASSY		
	14	LV34886-002A	INSULATOR		
	15	LV34889-001A	MECHA BKT		
	16	QYSDST2604ZA	TAP SCREW	M2.6 x 4mm	
	17	LV21684-002A	MECHA COVER		
	18	LV44153-002A	SPACER	(x2)	
	19	QYSDST2604ZA	TAP SCREW	M2.6 x 4mm(x2)	
	20	QYSDST2606MA	TAP SCREW	M2.6 x 6mm(x2)	
	21	LV44037-001A	COOLING RUBBER		
	22	LV44037-002A	COOLING RUBBER		
	23	LV44037-003A	COOLING RUBBER		
	24	LV35450-001A	HEAT SINK		
	25	LV44227-003A	WAVE ABSORBER		
	26	LV44227-004A	WAVE ABSORBER		
	27	LV43792-001A	FPC COVER		
	28	LV34892-004A	REAR BKT		
	29	QYSDSP2004ZA	SCREW	M2 x 4mm(x2)	
	30	QYSDST2604ZA	TAP SCREW	M2.6 x 4mm(x5)	
	31	LV41200-004A	SPECIAL SCREW	(x3)	
	32	LV41200-004A	SPECIAL SCREW		
	33	LV41200-004A	SPECIAL SCREW	(x3)	
	34	LV41200-004A	SPECIAL SCREW	(x4)	
	35	LV40847-012A	SPACER(H)		
	36	LV41200-004A	SPECIAL SCREW		
	37	LV44227-001A	WAVE ABSORBER		
	38	LV44227-002A	WAVE ABSORBER		
	39	LV10893-001A	DETACH PANEL		
	40	LV34893-001A	BACK PANEL(L)		
	41	LV34894-001A	BACK PANEL(R)		
	42	LV21686-001A	BUTTON(L)		
	43	LV21687-001A	BUTTON(R)		
	44	LV34895-001A	DETACH BUTTON		
	45	LV43772-001A	COM SP		
	46	LV34896-001A	REMOTE LENS		
	47	LV34897-005A	FINDER		
	48	VKZ4777-009	MINI SCREW	(x4)	
	49	LV21688-001A	BUTTON LWR(L)		
	50	LV21689-001A	BUTTON LWR(R)		
	51	LV10895-007A	FRONT PANEL		
	52	LV34898-001A	DETACH LEVER		
	53	LV21690-001A	DISC GUIDE		
	54	LV40847-014A	SPACER(H)	(x2)	
	55	LV34899-001A	LOCK LEVER(1)		
	56	LV34900-001A	LOCK LEVER(2)		
	57	LV34901-001A	LOCK LEVER(3)		
	58	LV34902-002A	L.LEVER BKT ASS		
	59	QYREE1500XA	E RING	M1.5	
	60	LV43769-001A	TOR SP(1)		
	61	LV43770-002A	TOR SP(2)		
	62	LV43771-002A	TOR SP(3)		
	63	LV43776-002A	BLIND		
	64	VKZ4777-007	MINI SCREW	(x4)	
	65	LV44159-001A	MINI SCREW	(x2)	
	66	LV34905-003A	LCD COVER		
	67	LV34906-003A	LCD LENS		
	68	LV43774-001A	LCD FILTER		
	69	LV43775-003A	LENS SHEET		
	70	QLD0335-001	LCD MODULE		
	71	QNZ0717-001	RUBBER CONNE		
	72	QUQ105-5011AB	FFC WIRE	50pin 11cm	
	73	VYSH101-009	SPACER		
	74	QQR1641-001	FERRITE CORE		
	75	LV40847-015A	SPACER(H)		

△ Symbol No.	Part No.	Part Name	Description	Local
76	QUQ105-1304AB	FFC WIRE	13pin 4cm	
77	QAL0583-001	FPC		
78	LV44218-002A	SUPPORT SHEET		
79	LV44218-003A	SUPPORT SHEET		
80	LV36094-001A	NAME PLATE		
81	QUQ110-2003AF	FFC WIRE	20pin 3cm	
82	LV35183-001A	LABEL(DVD)		
83	LV34887-001A	PCB BKT		
84	LV34888-001A	CONNECTOR COVER		
85	LV43730-003A	WORM GEAR	(x2)	
86	LV34836-002A	MOTOR BKT(A)		
87	LV34839-001A	THIRD WORM		
88	LV34842-002A	SECOND WHEEL		
89	LV34847-004A	R.L.S.GEAR		
90	LV34851-004A	DOUBLE WORM		
91	LV34852-005A	THIRD GEAR		
92	LV34853-003A	FORTH GEAR		
93	LV34854-002A	DRIVE GEAR	(x2)	

Hiway assembly and parts list

Block No. M 2 M M



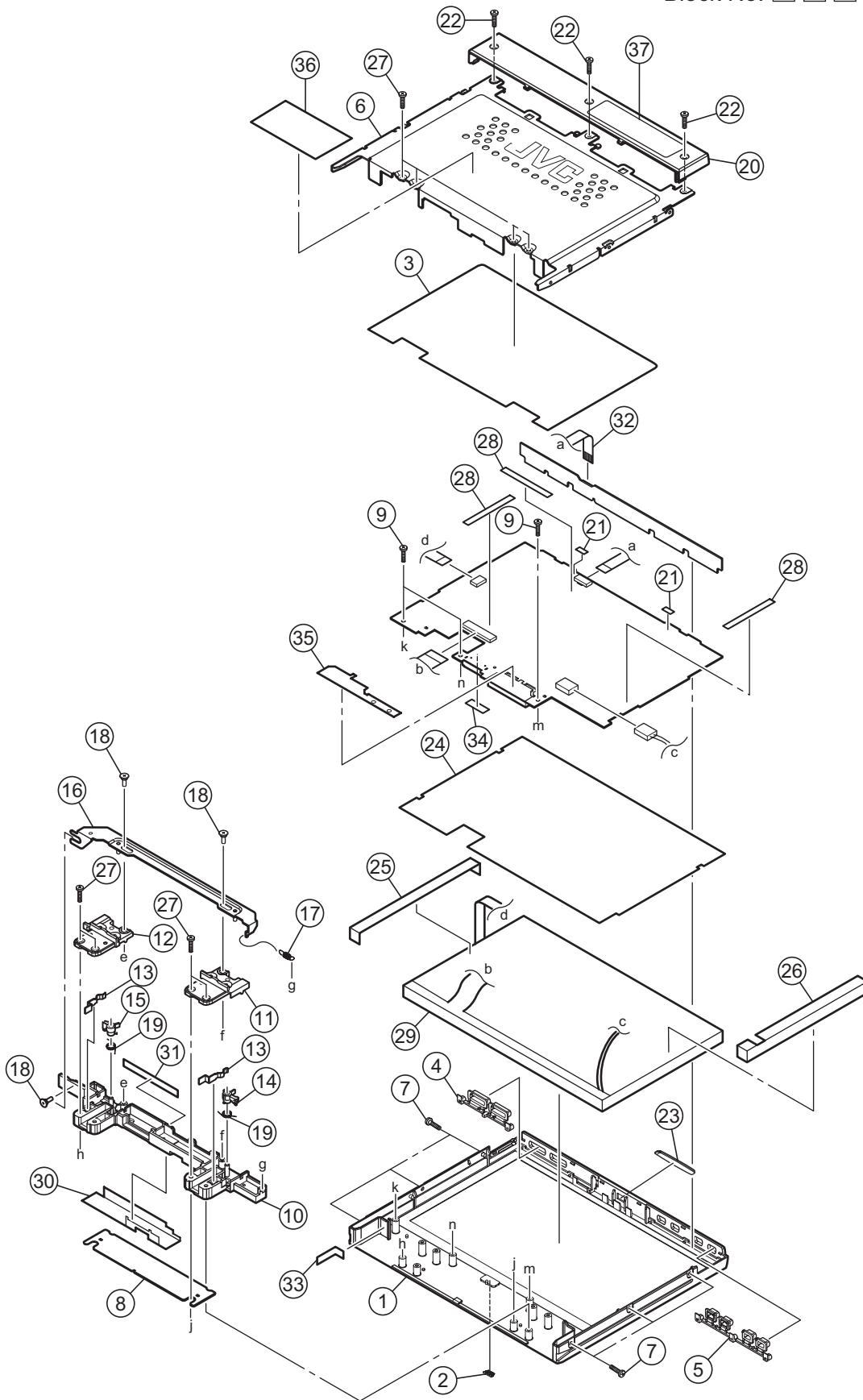
Hiway assembly and parts list

Block No. [M][2][M][M]

△ Symbol No.	Part No.	Part Name	Description	Local
1	LV10897-006A	TOP CHASSIS		
2	LV35421-002A	SHIELD		
3	QYSDST2606MA	TAP SCREW	M2.6 x 6mm(x4)	
4	LV34933-002A	B.CHASSIS ASSY		
5	LV34909-001A	INSURATING SHEE		
6	LV41200-004A	SPECIAL SCREW	(x3)	
7	LV43997-001A	SPECIAL SCREW	(x4)	
8	QYSDSF3008MA	TAP SCREW	M3 x 8mm(x8)	
9	LV42629-002A	FAN BRACKET		
10	QAR0294-001	FAN MOTOR		
11	QYSDST2606MA	TAP SCREW	M2.6 x 6mm(x2)	
12	QYSDST2606MA	TAP SCREW	M2.6 x 6mm	
13	QYSDST3006MA	TAP SCREW	M3 x 6mm	
14	QYSDST2606MA	TAP SCREW	M2.6 x 6mm	
15	QYSDST2606MA	TAP SCREW	M2.6 x 6mm	
16	LV43973-003A	SHIELD TIGHT		
17	LV36096-001A	LABEL		
18	LV34910-001A	HEAT SINK		
19	QYSDSG2606MA	TAP SCREW	M2.6 x 6mm(x2)	
20	LV43779-001A	IC BKT		
21	QYSPSPH2620ZA	SCREW	M2.6 x 20mm(x2)	
22	LV43780-001A	IC BKT		
23	LV43782-001A	IC BKT		
24	QYSPSPH2620ZA	SCREW	M2.6 x 20mm(x2)	
25	LV34911-001A	TUNER BASE		

Monitor assembly and parts list

Block No. M 4 M M



Monitor assembly and parts list

Block No. [M][4][M][M]

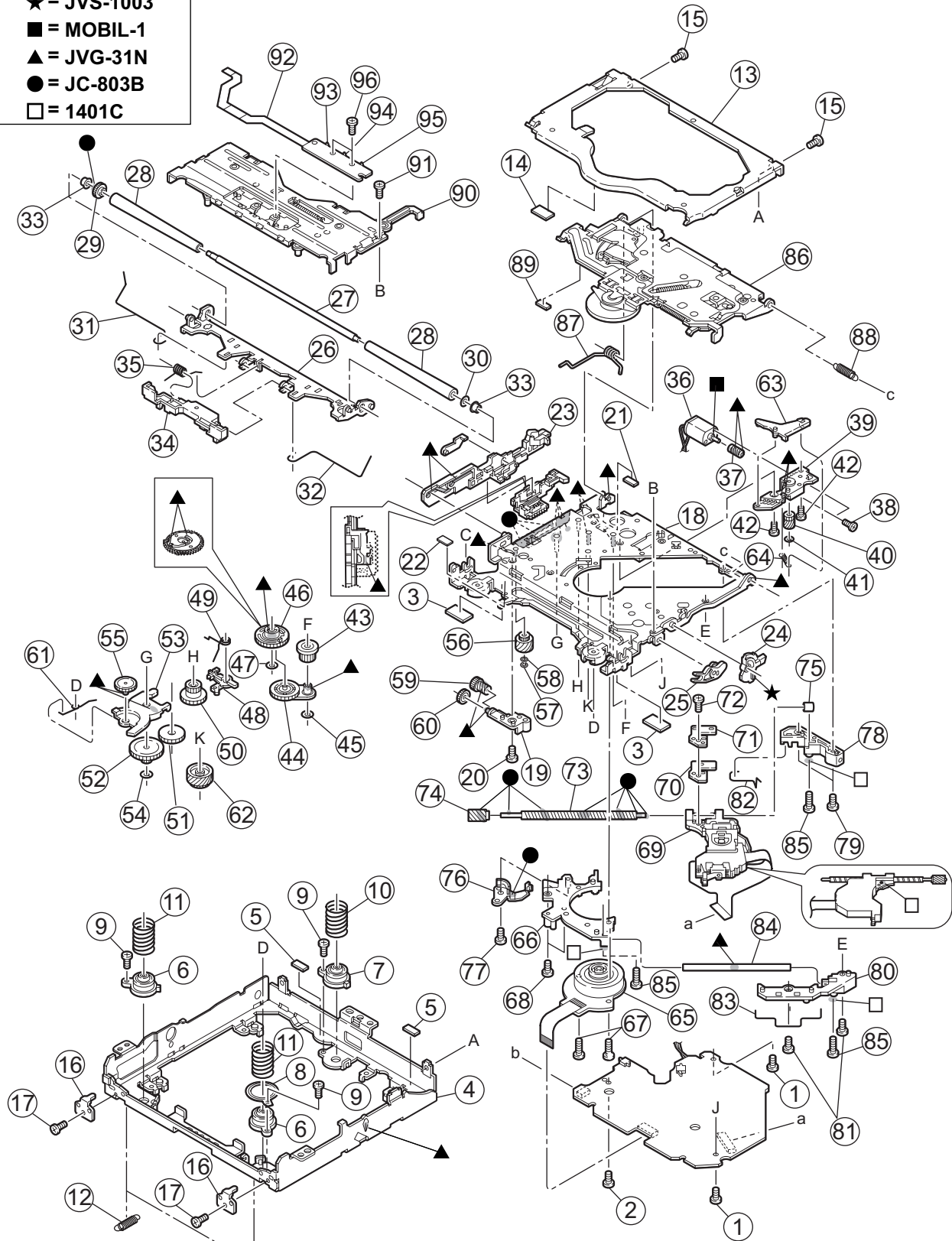
△	Symbol No.	Part No.	Part Name	Description	Local
	1	LV10891-021A	DISPLAY PANEL		
	2	GE40204-001A	JVC BADGE		
	3	LV34872-002A	BLIND SHEET		
	4	LV34873-005A	OPEN BUTTON		
	5	LV34874-003A	ANGLE BUTTON		
	6	LV21682-006A	DISP BACK PANEL		
	7	LV43819-003A	SPECIAL SCREW	(x6)	
	8	LV43753-003A	REINFORCE BKT		
	9	QYSDSF2008MA	TAP SCREW	M2 x 8mm(x3)	
	10	LV10918-003A	LOCK BASE		
	11	LV34875-004A	LOCK COVER(L)		
	12	LV34876-003A	LOCK COVER(R)		
	13	LV43754-001A	LOCK SPRING	(x2)	
	14	LV43755-002A	STOPPER(L)		
	15	LV43756-002A	STOPPER(R)		
	16	LV34877-002A	SLIDER ASSY		
	17	LV43758-001A	TEN SPRING		
	18	LV43759-002A	SPECIAL SCREW	(x3)	
	19	LV43760-004A	TOR SPRING	(x2)	
	20	LV34879-001A	DISP REAR COVER		
	21	LV40849-013A	SPACER(R)	(x2)	
	22	LV43819-003A	SPECIAL SCREW	(x3)	
	23	LV43761-001A	DISPLAY LENS		
	24	LV34880-002A	DISP SHEET(1)		
	25	LV34881-001A	DISP SHEET(2)		
	26	LV35303-001A	DISP SHEET(3)		
	27	QYSDSF2008MA	TAP SCREW	M2 x 8mm(x8)	
	28	LV40847-011A	SPACER(H)	(x3)	
	29	QLD0336-001	LCD MODULE		
	30	LV35393-006A	SHIELDING SHEET		
	31	LV44247-001A	SHIELD TIGHT		
	32	QUQ105-0805AB	FFC WIRE	8pin 5cm	
	33	LV43973-006A	SHIELD TIGHT		
	34	LV44223-001A	INSULATOR		
	35	LV35750-003A	SHIELD SHEET		
	36	LV36095-001A	NAME PLATE		
	37	LV44164-001A	CAUTION LABEL		

DVD mechanism assembly and parts list

Block No. M J M M

- Grease**
- ★ = JVS-1003
 - = MOBIL-1
 - ▲ = JVG-31N
 - = JC-803B
 - = 1401C

FLM-JD2-1D



The parts without symbol number are not service.

DVD mechanism

Block No. [M][J][M][M]

△	Symbol No.	Part No.	Part Name	Description	Local
	1	VKZ4539-026	MINI SCREW	(x2)	
	2	QYSPSFT2040Z	TAP SCREW	M2 x 4mm	
	3	LV43481-001A	COOLING RUBBER	(x2)	
	4	LV10674-002A	CHASSIS FRAME		
	5	LV30225-0J6A	SPACER	(x2)	
	6	LV33684-001A	DAMPER(F)	(x2)	
	7	LV33685-001A	DAMPER(R)		
	8	LV34418-001A	DAMPER RING		
	9	QYSDST2005Z	TAP SCREW	M2 x 5mm(x3)	
	10	LV43039-001A	DAMPER SP.(R)		
	11	LV43040-001A	DAMPER SP.(F)	(x2)	
	12	LV43041-001A	FLOATING SPRING	(x2)	
	13	LV10675-001A	TOP COVER		
	14	LV30225-0J5A	SPACER		
	15	VKZ4539-026	MINI SCREW	(x2)	
	16	LV33669-001A	STOPPER	(x2)	
	17	VKZ4539-026	MINI SCREW	(x2)	
	18	LV21297-002A	CHAS. BASE ASSY		
	19	LV33608-001A	GEAR HOLDER		
	20	VKZ4539-026	MINI SCREW		
	21	LV43561-001A	ABSORBER		
	22	LV30225-0J5A	SPACER		
	23	LV33683-003A	SLIDE CAM ASSY		
	24	LV33610-001A	FLOATING ARM		
	25	LV33611-001A	CONNECT ARM		
	26	LV33678-003A	LOADING A. ASSY		
	27	LV43049-001A	LOADING SHAFT		
	28	LV43052-003A	ROLLER	(x2)	
	29	LV33612-001A	LOADING GEAR		
	30	QYWFM124013	WASHER	4mm/1.2mm x 0.13mm	
	31	LV43053-002A	ROD(L)		
	32	LV43054-003A	ROD(R)		
	33	LV43001-001A	COLLAR	(x2)	
	34	LV21285-001A	PROTECTOR		
	35	LV43055-001A	PROTECTOR SP.		
	36	QAR0144-003	MOTOR		
	37	LV43002-002A	WORM GEAR		
	38	QYSPSPT2025M	SCREW	M2 x 2.5mm(x2)	
	39	LV33679-001A	MOTOR H. ASSY		
	40	LV33614-002A	WORM WHEEL		
	41	QYWDL1230250	SLIT WASHER	3mm/1.2mm x 0.25mm	
	42	VKZ4539-026	MINI SCREW	(x2)	
	43	LV33615-001A	GEAR 2		
	44	LV43057-003A	IDLER ARM ASSY		
	45	QYWDL1635252	SLIT WASHER	3.5mm/1.6mm x 0.25mm	
	46	LV21286-001A	CONTROL CAM		
	47	QYWDL1230250	SLIT WASHER	3mm/1.2mm x 0.25mm	
	48	LV33616-001A	LOAD.LOCK LEVER		
	49	LV43060-001A	CAM SPRING		
	50	LV43005-001A	GEAR 4		
	51	LV43006-001A	GEAR 5		
	52	LV33617-001A	GEAR 6		
	53	LV33618-002A	LOADING G. ARM		
	54	QYWDL1635252	SLIT WASHER	3.5mm/1.6mm x 0.25mm	
	55	LV43007-001A	GEAR 7		
	56	LV33619-002A	GEAR 8		
	57	LV42132-001A	E RING		
	58	QYWFM215013	WASHER	5mm/2.1mm x 0.13mm	
	59	LV33620-001A	GEAR 9		
	60	LV43008-001A	GEAR10		
	61	LV43061-001A	LOAD SPRING		
	62	LV33621-001A	FEED GEAR		
	63	LV33622-001A	TRIGGER ARM		
	64	LV43062-001A	FEED TRI.SPRING		
	65	QAR0240-001	SPINDLE MOTOR		
	66	LV21287-002A	SPINDLE BASE		
	67	QYSPSTT2065M	TAP SCREW	M2 x 6.5mm(x2)	
	68	VKZ4539-026	MINI SCREW	(x2)	
	69	QAL0427-002	DVD PICK UP		
	70	LV33623-002A	RACK PLATE		
	71	LV43009-001A	RACK SPRING		
	72	QYSPSPT1740N	SCREW	M1.7 x 4mm	
	73	LV43037-001A	LEAD SCREW		
	74	LV43010-001A	L.S.GEAR		

Symbol No.	Part No.	Part Name	Description	Local
75	LV43063-001A	L.S.COLLAR		
76	LV43011-001A	THRUST SPRING		
77	QYSPSFT2040Z	TAP SCREW	M2 x 4mm	
78	LV33624-001A	HOLDER(M)		
79	VKZ4539-026	MINI SCREW	(x2)	
80	LV21288-001A	HOLDER(S)		
81	VKZ4539-026	MINI SCREW	(x2)	
82	LV43064-001A	ROD(M)		
83	LV43065-001A	ROD(S)		
84	LV43066-001A	SUB SHAFT		
85	VKZ4730-001	SPECIAL SCREW	(x3)	
86	LV21298-006A	CLAMPER UNIT		
87	LV43070-001A	CLAMPER SPRING		
88	LV43355-001A	CLAMPER2 SPRING		
89	LV30225-0J6A	SPACER		
90	LV21299-006A	FRONT UNIT		
91	VKZ4539-026	MINI SCREW		
92	LVB30012-001A	SW FPC		
93	NSW0187-001	SWITCH	S1	
94	NSW0187-001	SWITCH	S2	
95	NSW0187-001	SWITCH	S3	
96	VKZ4539-025	MINI SCREW	(x2)	

Electrical parts list

Main board

Block No. [0][1]

Symbol No.	Part No.	Part Name	Description	Local
IC31	MN101C49KEC2	IC		
IC38	BD4833FVE-W	IC		
IC39	BR24L16F-W-X	IC		
IC41	SN74HCT32APW-X	IC		
IC42	SN74AHC1G08DC-X	IC		
IC51	R1154H050B-FB-X	IC		
IC52	BA00ASFP-X	IC		
IC54	BA00ASFP-X	IC		
IC81	MB3785APFV	IC		
IC93	LM1117MP-ADJ-X	IC		
IC95	LM1117MP1.8-X	IC		
△ IC101	NDV8601VWA-BE	IC		
IC121	K4S643232H-UC60	IC		
IC131	MR27T1602F2B2NX	IC(MICRO C ROM)		
IC133	SN74LVC373APW-X	IC(DIGITAL)		
IC134	SN74LVC373APW-X	IC(DIGITAL)		
IC141	SN74HCT32APW-X	IC		
IC142	SN74AHC1G125K-X	IC(DIGITAL)		
IC143	SN74LVC32APW-X	IC		
IC144	BR93L66F-W-X	IC		
IC151	AK4385ET-X	IC		
IC153	MM1510XN-X	IC		
IC161	NJM4565V-X	IC		
IC191	MM1510XN-X	IC		
IC201	HD64413ASFI	IC(DIGITAL)		
IC202	K4S641632H-UC75	IC		
IC203	SN74AHC1G04DC-X	IC		
IC204	SN74AHC1G04DC-X	IC		
IC221	SN74AHC1G04DC-X	IC		
IC223	LMV7219M5-X	IC		
IC224	SN74LV4053APW-X	IC		
IC226	SN74LV4053APW-X	IC		
IC227	SN74LV123APW-X	IC		
IC228	SN74AHC1G08DC-X	IC		
IC229	LMV7219M5-X	IC		
IC231	SN74LV123APW-X	IC		
IC232	NJM2257M-X	IC		
IC233	BA7666FS-X	IC		
IC234	MM1115XF-XE	IC		
IC235	MM1228XF-X	IC		
IC236	MM1228XF-X	IC		
IC241	SN74HCT32APW-X	IC		
IC242	SN74HCT32APW-X	IC		
IC243	SN74LV4053APW-X	IC		
IC251	HD6417750RF200D	IC(MCU)		
IC252	EDS1216AATA-75	IC(DIGITAL)		
IC252	or K4S281632F-UC75	IC(DIGITAL)		
IC253	EDS1216AATA-75	IC(DIGITAL)		
IC253	or K4S281632F-UC75	IC(DIGITAL)		
IC254	SG64M90TFIR7	IC (FLASH)		
IC254	SG64M90TFIR72C	IC (PROGRAMED)		
IC255	SG64M90TFIR7	IC (FLASH)		
IC255	SG64M90TFIR72D	IC (PROGRAMED)		
IC256	SG64M90TFIR7	IC (FLASH)		
IC256	SG64M90TFIR72E	IC (PROGRAMED)		
IC257	SG64M90TFIR7	IC (FLASH)		
IC257	SG64M90TFIR72F	IC (PROGRAMED)		
IC258	SN74LVC1G19K-X	IC		
Q111	UN2211-X	TRANSISTOR		
Q112	UN2213-X	DIGI TRANSISTOR		
Q121	2SD601A/R/-X	TRANSISTOR		
Q131	2SD601A/R/-X	TRANSISTOR		
Q301	UN2211-X	TRANSISTOR		
Q372	UN2211-X	TRANSISTOR		
Q511	UN2211-X	TRANSISTOR		
Q521	RSQ035P03-W	MOS FET		
Q522	UN2212-X	DIGI TRANSISTOR		
Q531	RSQ035P03-W	MOS FET		
Q532	UN2212-X	DIGI TRANSISTOR		
Q601	UN2111-X	TRANSISTOR		
Q602	UN2111-X	TRANSISTOR		

Symbol No.	Part No.	Part Name	Description	Local
Q701	2SB709A/R/-X	TRANSISTOR		
Q702	UN2211-X	TRANSISTOR		
Q801	UN2211-X	TRANSISTOR		
Q901	RSQ035P03-W	MOS FET		
Q902	RSQ035P03-W	MOS FET		
Q903	UN2211-X	TRANSISTOR		
Q921	RSQ035P03-W	MOS FET		
Q941	RSQ035P03-W	MOS FET		
Q961	RSQ035P03-W	MOS FET		
Q1351	2SB1424/QR/-W	TRANSISTOR		
Q1352	2SC2412K/RS/-X	TRANSISTOR		
Q1611	2SD1781K/QR/-X	TRANSISTOR		
Q1612	2SD1781K/QR/-X	TRANSISTOR		
Q1613	UN2111-X	TRANSISTOR		
D1	1N5404-TU-15	DIODE		
D101	UDZS6.2B-X	Z DIODE		
D111	MA8075M/-X	Z DIODE		
D112	MA8180M/-X	Z DIODE		
D381	MA111-X	SI DIODE		
D501	RB521S-30-X	SB DIODE		
D601	MA8110L/-X	Z DIODE		
D602	MA111-X	SI DIODE		
D603	MA152WA-X	DIODE		
D901	RB060L-40-X	SB DIODE		
D902	MA111-X	SI DIODE		
D903	MA111-X	SI DIODE		
D904	1SR154-400-X	DIODE		
D921	RB060L-40-X	SB DIODE		
D941	RB060L-40-X	SB DIODE		
D961	RB060L-40-X	SB DIODE		
D1611	MA152WA-X	DIODE		
D1612	MA111-X	SI DIODE		
C101	QEZ0625-338	E CAPACITOR	3300uF	
C102	NDC31HJ-101X	C CAPACITOR	100pF 50V J	
C103	NDC31HJ-101X	C CAPACITOR	100pF 50V J	
C104	NDC31HJ-101X	C CAPACITOR	100pF 50V J	
C105	NCB31HK-471X	C CAPACITOR	470pF 50V K	
C131	NBE41CM-226X	TA E CAPACITOR	22uF 16V M	
C301	NCB31CK-104X	C CAPACITOR	0.1uF 16V K	
C302	NCB31CK-104X	C CAPACITOR	0.1uF 16V K	
C303	NDC31HJ-3R0X	C CAPACITOR	3pF 50V J	
C304	NDC31HJ-3R0X	C CAPACITOR	3pF 50V J	
C305	NDC31HJ-220X	C CAPACITOR	22pF 50V J	
C306	NDC31HJ-220X	C CAPACITOR	22pF 50V J	
C307	NDC31HJ-101X	C CAPACITOR	100pF 50V J	
C308	NDC31HJ-101X	C CAPACITOR	100pF 50V J	
C309	NCB31CK-104X	C CAPACITOR	0.1uF 16V K	
C310	NCB31CK-104X	C CAPACITOR	0.1uF 16V K	
C311	NCB31CK-104X	C CAPACITOR	0.1uF 16V K	
C312	NDC31HJ-101X	C CAPACITOR	100pF 50V J	
C313	NCB31CK-104X	C CAPACITOR	0.1uF 16V K	
C314	NCB31CK-104X	C CAPACITOR	0.1uF 16V K	
C315	NCB31CK-104X	C CAPACITOR	0.1uF 16V K	
C316	NCB31CK-104X	C CAPACITOR	0.1uF 16V K	
C317	NCB31HK-102X	C CAPACITOR	1000pF 50V K	
C318	NCB31CK-104X	C CAPACITOR	0.1uF 16V K	
C319	NCB31CK-104X	C CAPACITOR	0.1uF 16V K	
C320	NEHN1CM-477X	E CAPACITOR	470uF 16V M	
C321	NCB31CK-104X	C CAPACITOR	0.1uF 16V K	
C322	NBE51CM-476X	TA E CAPACITOR	47uF 16V M	
C323	NCB31CK-104X	C CAPACITOR	0.1uF 16V K	
C324	NEHN1CM-477X	E CAPACITOR	470uF 16V M	
C381	NBE51CM-476X	TA E CAPACITOR	47uF 16V M	
C382	NCB31CK-104X	C CAPACITOR	0.1uF 16V K	
C391	NCB31CK-104X	C CAPACITOR	0.1uF 16V K	
C401	NCB31CK-104X	C CAPACITOR	0.1uF 16V K	
C402	NBE41CM-226X	TA E CAPACITOR	22uF 16V M	
C411	NCB31CK-104X	C CAPACITOR	0.1uF 16V K	
C501	NCJ11EK-106X-A	C CAPACITOR		
C502	NCB31CK-104X	C CAPACITOR	0.1uF 16V K	
C503	NCB31CK-104X	C CAPACITOR	0.1uF 16V K	
C504	NBE41AM-106X	TA E CAPACITOR	10uF 10V M	
C511	NCJ11EK-106X-A	C CAPACITOR		
C512	NCB31CK-104X	C CAPACITOR	0.1uF 16V K	

△ Symbol No.	Part No.	Part Name	Description	Local	△ Symbol No.	Part No.	Part Name	Description	Local
C513	NCB31CK-104X	C CAPACITOR	0.1uF 16V K		C948	NBE41CM-226X	TA E CAPACITOR	22uF 16V M	
C514	NBE41DM-106X	TA E CAPACITOR	10uF 20V M		C949	NCB31HK-103X	C CAPACITOR	0.01uF 50V K	
C521	NCJ11EK-106X-A	C CAPACITOR			C950	NQR0450-001X	EMI FILTER	0.022uF 50V M	
C522	NQR0450-001X	EMI FILTER	0.022uF 50V M		C951	NCB31HK-103X	C CAPACITOR	0.01uF 50V K	
C523	NCJ11EK-106X-A	C CAPACITOR			C952	NBE41CM-226X	TA E CAPACITOR	22uF 16V M	
C524	NCB31CK-104X	C CAPACITOR	0.1uF 16V K		C953	NCB31CK-104X	C CAPACITOR	0.1uF 16V K	
C525	NCB31CK-104X	C CAPACITOR	0.1uF 16V K		C954	NBE20JM-106X	TA E CAPACITOR	10uF 6.3V M	
C526	NCB31CK-104X	C CAPACITOR	0.1uF 16V K		C955	NBE51CM-476X	TA E CAPACITOR	47uF 16V M	
C527	NEHN1CM-477X	E CAPACITOR	470uF 16V M		C956	NBE51CM-476X	TA E CAPACITOR	47uF 16V M	
C531	NCJ11EK-106X-A	C CAPACITOR			C961	NCJ11EK-106X-A	C CAPACITOR		
C532	NQR0450-001X	EMI FILTER	0.022uF 50V M		C963	NBE61CM-107X	TA E CAPACITOR	100uF 16V M	
C533	NCB31CK-104X	C CAPACITOR	0.1uF 16V K		C964	NCB31HK-103X	C CAPACITOR	0.01uF 50V K	
C541	NCJ11EK-106X-A	C CAPACITOR			C965	NCB31HK-103X	C CAPACITOR	0.01uF 50V K	
C542	NCB31CK-104X	C CAPACITOR	0.1uF 16V K		C966	NQR0450-001X	EMI FILTER	0.022uF 50V M	
C543	NCB31CK-104X	C CAPACITOR	0.1uF 16V K		C967	NCB31HK-103X	C CAPACITOR	0.01uF 50V K	
C544	NBE41DM-106X	TA E CAPACITOR	10uF 20V M		C968	NBE41CM-226X	TA E CAPACITOR	22uF 16V M	
C551	NCB31CK-104X	C CAPACITOR	0.1uF 16V K		C969	NCB31HK-103X	C CAPACITOR	0.01uF 50V K	
C552	NCB31CK-104X	C CAPACITOR	0.1uF 16V K		C970	NQR0450-001X	EMI FILTER	0.022uF 50V M	
C561	NCB31CK-104X	C CAPACITOR	0.1uF 16V K		C971	NCB31HK-103X	C CAPACITOR	0.01uF 50V K	
C562	NCB31CK-104X	C CAPACITOR	0.1uF 16V K		C972	NBE41CM-226X	TA E CAPACITOR	22uF 16V M	
C601	NBE51CM-476X	TA E CAPACITOR	47uF 16V M		C973	NBE61CM-107X	TA E CAPACITOR	100uF 16V M	
C602	NBE51CM-476X	TA E CAPACITOR	47uF 16V M		C991	NCJ11EK-106X-A	C CAPACITOR		
C751	NCB31CK-104X	C CAPACITOR	0.1uF 16V K		C1002	NBE51CM-476X	TA E CAPACITOR	47uF 16V M	
C752	NCB31CK-104X	C CAPACITOR	0.1uF 16V K		C1003	NBE40GM-476X	TA E CAPACITOR	47uF 4V M	
C801	NCB31HK-102X	C CAPACITOR	1000pF 50V K		C1005	NCB31CK-104X	C CAPACITOR	0.1uF 16V K	
C802	NCB31HK-102X	C CAPACITOR	1000pF 50V K		C1006	NCB31CK-104X	C CAPACITOR	0.1uF 16V K	
C803	NCB31CK-683X	C CAPACITOR	0.068uF 16V K		C1007	NCB31CK-104X	C CAPACITOR	0.1uF 16V K	
C804	NCB31HK-102X	C CAPACITOR	1000pF 50V K		C1008	NCB31CK-104X	C CAPACITOR	0.1uF 16V K	
C805	NCB31CK-683X	C CAPACITOR	0.068uF 16V K		C1009	NCB31CK-104X	C CAPACITOR	0.1uF 16V K	
C806	NCB31HK-222X	C CAPACITOR	2200pF 50V K		C1010	NCB31CK-104X	C CAPACITOR	0.1uF 16V K	
C807	NDC31HJ-101X	C CAPACITOR	100pF 50V J		C1011	NCB31CK-104X	C CAPACITOR	0.1uF 16V K	
C808	NCB31CK-104X	C CAPACITOR	0.1uF 16V K		C1012	NCB31CK-104X	C CAPACITOR	0.1uF 16V K	
C809	NCB31HK-102X	C CAPACITOR	1000pF 50V K		C1013	NCB31CK-104X	C CAPACITOR	0.1uF 16V K	
C810	NCB31HK-102X	C CAPACITOR	1000pF 50V K		C1014	NCB31HK-103X	C CAPACITOR	0.01uF 50V K	
C811	NCB31CK-683X	C CAPACITOR	0.068uF 16V K		C1015	NCB31CK-104X	C CAPACITOR	0.1uF 16V K	
C812	NCB31HK-102X	C CAPACITOR	1000pF 50V K		C1016	NCB31CK-104X	C CAPACITOR	0.1uF 16V K	
C813	NCB31CK-683X	C CAPACITOR	0.068uF 16V K		C1018	NCB31CK-104X	C CAPACITOR	0.1uF 16V K	
C814	NCB31HK-102X	C CAPACITOR	1000pF 50V K		C1019	NCB31CK-104X	C CAPACITOR	0.1uF 16V K	
C815	NCB31HK-102X	C CAPACITOR	1000pF 50V K		C1020	NDC31HJ-120X	C CAPACITOR	12pF 50V J	
C816	NCB31HK-221X	C CAPACITOR	220pF 50V K		C1021	NDC31HJ-150X	C CAPACITOR	15pF 50V J	
C817	NCB31HJ-271X	C CAPACITOR	270pF 50V J		C1022	NBE40GM-476X	TA E CAPACITOR	47uF 4V M	
C819	NCB31HK-221X	C CAPACITOR	220pF 50V K		C1023	NCB31HK-103X	C CAPACITOR	0.01uF 50V K	
C820	NCB31CK-104X	C CAPACITOR	0.1uF 16V K		C1024	NBE51CM-476X	TA E CAPACITOR	47uF 16V M	
C821	NCB31HK-221X	C CAPACITOR	220pF 50V K		C1025	NCB31HK-103X	C CAPACITOR	0.01uF 50V K	
C822	NCJ11EK-106X-A	C CAPACITOR			C1026	NBE51CM-476X	TA E CAPACITOR	47uF 16V M	
C823	NCB31CK-104X	C CAPACITOR	0.1uF 16V K		C1027	NCB31HK-103X	C CAPACITOR	0.01uF 50V K	
C901	NCJ11EK-106X-A	C CAPACITOR			C1028	NBE40JM-476X	TA E CAPACITOR	47uF 6.3V M	
C903	NBE51CM-476X	TA E CAPACITOR	47uF 16V M		C1029	NCB31HK-103X	C CAPACITOR	0.01uF 50V K	
C904	NCB31HK-103X	C CAPACITOR	0.01uF 50V K		C1030	NBE51CM-476X	TA E CAPACITOR	47uF 16V M	
C905	NCB31HK-103X	C CAPACITOR	0.01uF 50V K		C1031	NCB31CK-104X	C CAPACITOR	0.1uF 16V K	
C906	NQR0450-001X	EMI FILTER	0.022uF 50V M		C1032	NBE40GM-476X	TA E CAPACITOR	47uF 4V M	
C907	NCB31HK-103X	C CAPACITOR	0.01uF 50V K		C1033	NCB31CK-104X	C CAPACITOR	0.1uF 16V K	
C908	NBE41CM-226X	TA E CAPACITOR	22uF 16V M		C1034	NCB31CK-104X	C CAPACITOR	0.1uF 16V K	
C909	NCB31CK-104X	C CAPACITOR	0.1uF 16V K		C1035	NCB31CK-104X	C CAPACITOR	0.1uF 16V K	
C910	NCB31CK-104X	C CAPACITOR	0.1uF 16V K		C1036	NCB31CK-104X	C CAPACITOR	0.1uF 16V K	
C911	NCB31CK-104X	C CAPACITOR	0.1uF 16V K		C1037	NCB31CK-104X	C CAPACITOR	0.1uF 16V K	
C912	NBE51CM-476X	TA E CAPACITOR	47uF 16V M		C1038	NCB31CK-104X	C CAPACITOR	0.1uF 16V K	
C913	NCB31CK-104X	C CAPACITOR	0.1uF 16V K		C1039	NCB31CK-104X	C CAPACITOR	0.1uF 16V K	
C921	NCJ11EK-106X-A	C CAPACITOR			C1040	NCB31CK-104X	C CAPACITOR	0.1uF 16V K	
C923	NBE51CM-476X	TA E CAPACITOR	47uF 16V M		C1041	NCB31CK-104X	C CAPACITOR	0.1uF 16V K	
C924	NCB31HK-103X	C CAPACITOR	0.01uF 50V K		C1042	NCB31CK-104X	C CAPACITOR	0.1uF 16V K	
C925	NCB31HK-103X	C CAPACITOR	0.01uF 50V K		C1043	NCB31CK-104X	C CAPACITOR	0.1uF 16V K	
C926	NQR0450-001X	EMI FILTER	0.022uF 50V M		C1044	NCB31CK-104X	C CAPACITOR	0.1uF 16V K	
C927	NCB31HK-103X	C CAPACITOR	0.01uF 50V K		C1045	NCB31CK-104X	C CAPACITOR	0.1uF 16V K	
C928	NBE41CM-226X	TA E CAPACITOR	22uF 16V M		C1046	NCB31CK-104X	C CAPACITOR	0.1uF 16V K	
C929	NCB31HK-103X	C CAPACITOR	0.01uF 50V K		C1047	NCB31CK-104X	C CAPACITOR	0.1uF 16V K	
C930	NQR0450-001X	EMI FILTER	0.022uF 50V M		C1048	NCB31CK-104X	C CAPACITOR	0.1uF 16V K	
C931	NCB31HK-103X	C CAPACITOR	0.01uF 50V K		C1049	NCB31HK-103X	C CAPACITOR	0.01uF 50V K	
C932	NBE41CM-226X	TA E CAPACITOR	22uF 16V M		C1172	NQR0450-001X	EMI FILTER	0.022uF 50V M	
C933	NCB31CK-104X	C CAPACITOR	0.1uF 16V K		C1173	NQR0450-001X	EMI FILTER	0.022uF 50V M	
C934	NBE20JM-106X	TA E CAPACITOR	10uF 6.3V M		C1174	NQR0450-001X	EMI FILTER	0.022uF 50V M	
C936	NBE51CM-476X	TA E CAPACITOR	47uF 16V M		C1175	NQR0450-001X	EMI FILTER	0.022uF 50V M	
C941	NCJ11EK-106X-A	C CAPACITOR			C1176	NQR0450-001X	EMI FILTER	0.022uF 50V M	
C943	NBE61CM-107X	TA E CAPACITOR	100uF 16V M		C1177	NQR0450-001X	EMI FILTER	0.022uF 50V M	
C944	NCB31HK-103X	C CAPACITOR	0.01uF 50V K		C1178	NQR0450-001X	EMI FILTER	0.022uF 50V M	
C945	NCB31HK-103X	C CAPACITOR	0.01uF 50V K		C1201	NBE51CM-476X	TA E CAPACITOR	47uF 16V M	
C946	NQR0450-001X	EMI FILTER	0.022uF 50V M		C1202	NDC31HJ-101X	C CAPACITOR	100pF 50V J	
C947	NCB31HK-103X	C CAPACITOR	0.01uF 50V K		C1203	NCB31CK-104X	C CAPACITOR	0.1uF 16V K	

△ Symbol No.	Part No.	Part Name	Description	Local	△ Symbol No.	Part No.	Part Name	Description	Local
C1204	NDC31HJ-101X	C CAPACITOR	100pF 50V J		C2021	NCB31CK-104X	C CAPACITOR	0.1uF 16V K	
C1205	NCB31CK-104X	C CAPACITOR	0.1uF 16V K		C2022	NCB31CK-104X	C CAPACITOR	0.1uF 16V K	
C1206	NDC31HJ-101X	C CAPACITOR	100pF 50V J		C2023	NCB31CK-104X	C CAPACITOR	0.1uF 16V K	
C1207	NCB31CK-104X	C CAPACITOR	0.1uF 16V K		C2024	NCB31CK-104X	C CAPACITOR	0.1uF 16V K	
C1208	NCB31CK-104X	C CAPACITOR	0.1uF 16V K		C2025	NCB31CK-104X	C CAPACITOR	0.1uF 16V K	
C1209	NDC31HJ-101X	C CAPACITOR	100pF 50V J		C2026	NCB31CK-104X	C CAPACITOR	0.1uF 16V K	
C1210	NCB31CK-104X	C CAPACITOR	0.1uF 16V K		C2027	NCB31CK-104X	C CAPACITOR	0.1uF 16V K	
C1211	NCB31CK-104X	C CAPACITOR	0.1uF 16V K		C2028	NBE41CM-106X	TA E CAPACITOR	10uF 16V M	
C1212	NDC31HJ-101X	C CAPACITOR	100pF 50V J		C2029	NCB21CK-105X	C CAPACITOR	1uF 16V K	
C1213	NCB31CK-104X	C CAPACITOR	0.1uF 16V K		C2030	NCB31CK-104X	C CAPACITOR	0.1uF 16V K	
C1214	NCB31CK-104X	C CAPACITOR	0.1uF 16V K		C2031	NCB31CK-104X	C CAPACITOR	0.1uF 16V K	
C1215	NDC31HJ-101X	C CAPACITOR	100pF 50V J		C2032	NCB31CK-104X	C CAPACITOR	0.1uF 16V K	
C1216	NCB31CK-104X	C CAPACITOR	0.1uF 16V K		C2033	NCB31CK-104X	C CAPACITOR	0.1uF 16V K	
C1217	NCB31CK-104X	C CAPACITOR	0.1uF 16V K		C2034	NCB31CK-104X	C CAPACITOR	0.1uF 16V K	
C1301	NDC31HJ-101X	C CAPACITOR	100pF 50V J		C2035	NCB31CK-104X	C CAPACITOR	0.1uF 16V K	
C1302	NCB31CK-104X	C CAPACITOR	0.1uF 16V K		C2036	NCB31CK-104X	C CAPACITOR	0.1uF 16V K	
C1331	NCB31CK-104X	C CAPACITOR	0.1uF 16V K		C2037	NCB31CK-103X	C CAPACITOR	0.01uF 16V K	
C1332	NDC31HJ-101X	C CAPACITOR	100pF 50V J		C2038	NCB31HK-103X	C CAPACITOR	0.01uF 50V K	
C1341	NCB31CK-104X	C CAPACITOR	0.1uF 16V K		C2039	NBE51CM-476X	TA E CAPACITOR	47uF 16V M	
C1342	NDC31HJ-101X	C CAPACITOR	100pF 50V J		C2201	NCB31HK-103X	C CAPACITOR	0.01uF 50V K	
C1351	NCB11CK-105X	C CAPACITOR	1uF 16V K		C2202	NDC31HJ-150X	C CAPACITOR	15pF 50V J	
C1352	NCB31CK-104X	C CAPACITOR	0.1uF 16V K		C2203	NDC31HJ-150X	C CAPACITOR	15pF 50V J	
C1401	NCB31CK-104X	C CAPACITOR	0.1uF 16V K		C2208	NCB31HK-103X	C CAPACITOR	0.01uF 50V K	
C1421	NCB31CK-104X	C CAPACITOR	0.1uF 16V K		C2209	NBE41CM-226X	TA E CAPACITOR	22uF 16V M	
C1431	NCB31CK-104X	C CAPACITOR	0.1uF 16V K		C2210	NCB31CK-104X	C CAPACITOR	0.1uF 16V K	
C1441	NCB31CK-104X	C CAPACITOR	0.1uF 16V K		C2211	NCB31CK-104X	C CAPACITOR	0.1uF 16V K	
C1502	NCB31HK-331X	C CAPACITOR	330pF 50V K		C2212	NBE41CM-106X	TA E CAPACITOR	10uF 16V M	
C1503	NCB31HK-103X	C CAPACITOR	0.01uF 50V K		C2215	NCB31HK-103X	C CAPACITOR	0.01uF 50V K	
C1504	NCB31HK-102X	C CAPACITOR	1000pF 50V K		C2216	NBE41CM-226X	TA E CAPACITOR	22uF 16V M	
C1505	NBE51CM-476X	TA E CAPACITOR	47uF 16V M		C2217	NCB31CK-104X	C CAPACITOR	0.1uF 16V K	
C1506	NCB31CK-104X	C CAPACITOR	0.1uF 16V K		C2218	NCB31HK-103X	C CAPACITOR	0.01uF 50V K	
C1524	NCB31HK-103X	C CAPACITOR	0.01uF 50V K		C2219	NCB31HK-103X	C CAPACITOR	0.01uF 50V K	
C1525	NBE61CM-107X	TA E CAPACITOR	100uF 16V M		C2220	NCB31CK-104X	C CAPACITOR	0.1uF 16V K	
C1526	NCB31HK-103X	C CAPACITOR	0.01uF 50V K		C2221	NBE41CM-226X	TA E CAPACITOR	22uF 16V M	
C1527	NCB31HK-103X	C CAPACITOR	0.01uF 50V K		C2222	NCB31HK-103X	C CAPACITOR	0.01uF 50V K	
C1601	NBE40JM-476X	TA E CAPACITOR	47uF 6.3V M		C2223	NCB31CK-104X	C CAPACITOR	0.1uF 16V K	
C1602	NBE40JM-476X	TA E CAPACITOR	47uF 6.3V M		C2224	NCB31CK-104X	C CAPACITOR	0.1uF 16V K	
C1603	NCB31CK-104X	C CAPACITOR	0.1uF 16V K		C2225	NCB31CK-104X	C CAPACITOR	0.1uF 16V K	
C1604	NCB31CK-104X	C CAPACITOR	0.1uF 16V K		C2301	NCB31CK-104X	C CAPACITOR	0.1uF 16V K	
C1605	NBE41CM-226X	TA E CAPACITOR	22uF 16V M		C2302	NCB31HK-103X	C CAPACITOR	0.01uF 50V K	
C1606	NCB31CK-104X	C CAPACITOR	0.1uF 16V K		C2303	NBE41AM-475X	TA E CAPACITOR	4.7uF 10V M	
C1611	NBE51CM-476X	TA E CAPACITOR	47uF 16V M		C2304	NCB31HK-102X	C CAPACITOR	1000pF 50V K	
C1701	NCB31HK-332X	C CAPACITOR	3300pF 50V K		C2305	NCB31HK-103X	C CAPACITOR	0.01uF 50V K	
C1702	NCB31HK-471X	C CAPACITOR	470pF 50V K		C2306	NBE41CM-226X	TA E CAPACITOR	22uF 16V M	
C1703	NCB31HK-471X	C CAPACITOR	470pF 50V K		C2307	NCB31CK-224X	C CAPACITOR	0.22uF 16V K	
C1704	NBE41AM-475X	TA E CAPACITOR	4.7uF 10V M		C2308	NBE41CM-226X	TA E CAPACITOR	22uF 16V M	
C1801	NCB31HK-332X	C CAPACITOR	3300pF 50V K		C2309	NCB31HK-103X	C CAPACITOR	0.01uF 50V K	
C1802	NCB31HK-471X	C CAPACITOR	470pF 50V K		C2310	NBE41AM-475X	TA E CAPACITOR	4.7uF 10V M	
C1803	NCB31HK-471X	C CAPACITOR	470pF 50V K		C2311	NBE41AM-475X	TA E CAPACITOR	4.7uF 10V M	
C1804	NBE41AM-475X	TA E CAPACITOR	4.7uF 10V M		C2312	NBE41AM-475X	TA E CAPACITOR	4.7uF 10V M	
C1901	NBE61CM-107X	TA E CAPACITOR	100uF 16V M		C2313	NBE51AM-107X	TA E CAPACITOR	100uF 10V M	
C1902	NCB31CK-473X	C CAPACITOR	0.047uF 16V K		C2314	NBE41AM-226X	TA E CAPACITOR	22uF 10V M	
C1911	NCB31HK-221X	C CAPACITOR	220pF 50V K		C2315	NBE51AM-107X	TA E CAPACITOR	100uF 10V M	
C1913	NCB31HK-471X	C CAPACITOR	470pF 50V K		C2316	NBE41AM-226X	TA E CAPACITOR	22uF 10V M	
C1914	NCB31HK-221X	C CAPACITOR	220pF 50V K		C2317	NBE51AM-107X	TA E CAPACITOR	100uF 10V M	
C1915	NCB20JK-155X	C CAPACITOR	1.5uF 6.3V K		C2318	NBE41AM-226X	TA E CAPACITOR	22uF 10V M	
C1921	NBE60JM-337X	TA E CAPACITOR	330uF 6.3V M		C2319	NBE41CM-226X	TA E CAPACITOR	22uF 16V M	
C1931	NBE60JM-337X	TA E CAPACITOR	330uF 6.3V M		C2320	NCB31HK-103X	C CAPACITOR	0.01uF 50V K	
C2001	NCB31CK-104X	C CAPACITOR	0.1uF 16V K		C2321	NBE41AM-475X	TA E CAPACITOR	4.7uF 10V M	
C2002	NCB31CK-104X	C CAPACITOR	0.1uF 16V K		C2322	NBE41AM-475X	TA E CAPACITOR	4.7uF 10V M	
C2003	NCB31CK-104X	C CAPACITOR	0.1uF 16V K		C2323	NBE41AM-475X	TA E CAPACITOR	4.7uF 10V M	
C2004	NCB31CK-104X	C CAPACITOR	0.1uF 16V K		C2324	NBE41AM-475X	TA E CAPACITOR	4.7uF 10V M	
C2005	NBE41CM-106X	TA E CAPACITOR	10uF 16V M		C2325	NBE41CM-226X	TA E CAPACITOR	22uF 16V M	
C2006	NBE41CM-226X	TA E CAPACITOR	22uF 16V M		C2326	NCB31HK-103X	C CAPACITOR	0.01uF 50V K	
C2007	NCB31CK-104X	C CAPACITOR	0.1uF 16V K		C2327	NBE40GM-227X	TA E CAPACITOR	220uF 4V M	
C2008	NBE41CM-106X	TA E CAPACITOR	10uF 16V M		C2329	NBE41CM-226X	TA E CAPACITOR	22uF 16V M	
C2009	NCB31CK-104X	C CAPACITOR	0.1uF 16V K		C2330	NCB31HK-103X	C CAPACITOR	0.01uF 50V K	
C2010	NCB31HK-471X	C CAPACITOR	470pF 50V K		C2331	NBE40GM-227X	TA E CAPACITOR	220uF 4V M	
C2011	NCB31HK-471X	C CAPACITOR	470pF 50V K		C2332	NBE41AM-475X	TA E CAPACITOR	4.7uF 10V M	
C2012	NCB31CK-104X	C CAPACITOR	0.1uF 16V K		C2333	NBE41AM-475X	TA E CAPACITOR	4.7uF 10V M	
C2013	NCB31CK-104X	C CAPACITOR	0.1uF 16V K		C2401	NCB31CK-104X	C CAPACITOR	0.1uF 16V K	
C2014	NCB31CK-104X	C CAPACITOR	0.1uF 16V K		C2402	NBE41CM-226X	TA E CAPACITOR	22uF 16V M	
C2015	NCB31CK-104X	C CAPACITOR	0.1uF 16V K		C2403	NCB31CK-104X	C CAPACITOR	0.1uF 16V K	
C2016	NCB31CK-104X	C CAPACITOR	0.1uF 16V K		C2404	NBE41CM-226X	TA E CAPACITOR	22uF 16V M	
C2017	NCB31CK-104X	C CAPACITOR	0.1uF 16V K		C2405	NCB31CK-104X	C CAPACITOR	0.1uF 16V K	
C2018	NCB31CK-104X	C CAPACITOR	0.1uF 16V K		C2406	NBE41CM-106X	TA E CAPACITOR	10uF 16V M	
C2019	NCB31CK-104X	C CAPACITOR	0.1uF 16V K		C2501	NBE41CM-106X	TA E CAPACITOR	10uF 16V M	
C2020	NCB31CK-104X	C CAPACITOR	0.1uF 16V K		C2502	NBE41CM-106X	TA E CAPACITOR	10uF 16V M	

△ Symbol No.	Part No.	Part Name	Description	Local	△ Symbol No.	Part No.	Part Name	Description	Local
C2503	NBE41CM-106X	TA E CAPACITOR	10uF 16V M		R305	NRSA63J-103X	MG RESISTOR	10kΩ 1/16W J	
C2504	NDC31HJ-100X	C CAPACITOR	10pF 50V J		R306	NRSA63J-332X	MG RESISTOR	3.3kΩ 1/16W J	
C2505	NDC31HJ-100X	C CAPACITOR	10pF 50V J		R307	NRSA63J-682X	MG RESISTOR	6.8kΩ 1/16W J	
C2506	NCB31HK-102X	C CAPACITOR	1000pF 50V K		R308	NRSA63J-332X	MG RESISTOR	3.3kΩ 1/16W J	
C2507	NBE61CM-107X	TA E CAPACITOR	100uF 16V M		R309	NRSA63J-682X	MG RESISTOR	6.8kΩ 1/16W J	
C2508	NCB31CK-104X	C CAPACITOR	0.1uF 16V K		R310	NRSA63J-331X	MG RESISTOR	330Ω 1/16W J	
C2509	NBE51AM-107X	TA E CAPACITOR	100uF 10V M		R311	NRSA63J-473X	MG RESISTOR	47kΩ 1/16W J	
C2510	NCB31CK-104X	C CAPACITOR	0.1uF 16V K		R313	NRSA63J-0R0X	MG RESISTOR	0Ω 1/16W J	
C2511	NCB21CK-105X	C CAPACITOR	1uF 16V K		R314	NRSA63J-222X	MG RESISTOR	2.2kΩ 1/16W J	
C2512	NCB21CK-105X	C CAPACITOR	1uF 16V K		R315	NRSA63J-223X	MG RESISTOR	22kΩ 1/16W J	
C2513	NCB21CK-105X	C CAPACITOR	1uF 16V K		R317	NRSA63J-103X	MG RESISTOR	10kΩ 1/16W J	
C2514	NCB21CK-105X	C CAPACITOR	1uF 16V K		R318	NRSA63J-472X	MG RESISTOR	4.7kΩ 1/16W J	
C2515	NCB31CK-104X	C CAPACITOR	0.1uF 16V K		R319	NRSA63J-472X	MG RESISTOR	4.7kΩ 1/16W J	
C2516	NCB31CK-104X	C CAPACITOR	0.1uF 16V K		R320	NRSA63J-471X	MG RESISTOR	470Ω 1/16W J	
C2517	NCB31CK-104X	C CAPACITOR	0.1uF 16V K		R321	NRSA63J-471X	MG RESISTOR	470Ω 1/16W J	
C2518	NCB31CK-104X	C CAPACITOR	0.1uF 16V K		R322	NRSA63J-102X	MG RESISTOR	1kΩ 1/16W J	
C2519	NCB31CK-104X	C CAPACITOR	0.1uF 16V K		R323	NRSA63J-222X	MG RESISTOR	2.2kΩ 1/16W J	
C2520	NCB31CK-104X	C CAPACITOR	0.1uF 16V K		R324	NRSA63J-222X	MG RESISTOR	2.2kΩ 1/16W J	
C2521	NCB31CK-104X	C CAPACITOR	0.1uF 16V K		R325	NRSA63J-222X	MG RESISTOR	2.2kΩ 1/16W J	
C2522	NCB31CK-104X	C CAPACITOR	0.1uF 16V K		R326	NRSA63J-332X	MG RESISTOR	3.3kΩ 1/16W J	
C2523	NCB31CK-104X	C CAPACITOR	0.1uF 16V K		R327	NRSA63J-682X	MG RESISTOR	6.8kΩ 1/16W J	
C2524	NCB31CK-104X	C CAPACITOR	0.1uF 16V K		R328	NRSA63J-332X	MG RESISTOR	3.3kΩ 1/16W J	
C2525	NCB31CK-104X	C CAPACITOR	0.1uF 16V K		R329	NRSA63J-682X	MG RESISTOR	6.8kΩ 1/16W J	
C2526	NCB31CK-104X	C CAPACITOR	0.1uF 16V K		R330	NRSA63J-473X	MG RESISTOR	47kΩ 1/16W J	
C2527	NCB31CK-104X	C CAPACITOR	0.1uF 16V K		R331	NRSA63J-473X	MG RESISTOR	47kΩ 1/16W J	
C2528	NCB31CK-104X	C CAPACITOR	0.1uF 16V K		R332	NRSA63J-473X	MG RESISTOR	47kΩ 1/16W J	
C2529	NCB21CK-105X	C CAPACITOR	1uF 16V K		R333	NRSA63J-472X	MG RESISTOR	4.7kΩ 1/16W J	
C2530	NCB21CK-105X	C CAPACITOR	1uF 16V K		R334	NRSA63J-472X	MG RESISTOR	4.7kΩ 1/16W J	
C2531	NCB31CK-103X	C CAPACITOR	0.01uF 16V K		R335	NRSA63J-222X	MG RESISTOR	2.2kΩ 1/16W J	
C2532	NCB31CK-104X	C CAPACITOR	0.1uF 16V K		R336	NRSA63J-471X	MG RESISTOR	470Ω 1/16W J	
C2533	NCB31CK-104X	C CAPACITOR	0.1uF 16V K		R337	NRSA63J-471X	MG RESISTOR	470Ω 1/16W J	
C2534	NCB31CK-104X	C CAPACITOR	0.1uF 16V K		R338	NRSA63J-471X	MG RESISTOR	470Ω 1/16W J	
C2535	NCB31CK-104X	C CAPACITOR	0.1uF 16V K		R339	NRSA63J-471X	MG RESISTOR	470Ω 1/16W J	
C2536	NCB31CK-104X	C CAPACITOR	0.1uF 16V K		R340	NRSA63J-471X	MG RESISTOR	470Ω 1/16W J	
C2537	NCB31CK-104X	C CAPACITOR	0.1uF 16V K		R341	NRSA63J-471X	MG RESISTOR	470Ω 1/16W J	
C2538	NCB31CK-104X	C CAPACITOR	0.1uF 16V K		R342	NRSA63J-471X	MG RESISTOR	470Ω 1/16W J	
C2539	NCB31CK-104X	C CAPACITOR	0.1uF 16V K		R343	NRSA63J-471X	MG RESISTOR	470Ω 1/16W J	
C2540	NCB31CK-104X	C CAPACITOR	0.1uF 16V K		R344	NRSA63J-471X	MG RESISTOR	470Ω 1/16W J	
C2541	NCB31CK-104X	C CAPACITOR	0.1uF 16V K		R345	NRSA63J-471X	MG RESISTOR	470Ω 1/16W J	
C2542	NCB31CK-104X	C CAPACITOR	0.1uF 16V K		R346	NRSA63J-471X	MG RESISTOR	470Ω 1/16W J	
C2543	NCB31CK-104X	C CAPACITOR	0.1uF 16V K		R348	NRSA63J-471X	MG RESISTOR	470Ω 1/16W J	
C2544	NCB31CK-104X	C CAPACITOR	0.1uF 16V K		R350	NRSA63J-471X	MG RESISTOR	470Ω 1/16W J	
C2545	NCB31CK-104X	C CAPACITOR	0.1uF 16V K		R351	NRSA63J-471X	MG RESISTOR	470Ω 1/16W J	
C2546	NCB31CK-104X	C CAPACITOR	0.1uF 16V K		R352	NRSA63J-471X	MG RESISTOR	470Ω 1/16W J	
C2547	NCB31CK-104X	C CAPACITOR	0.1uF 16V K		R353	NRSA63J-471X	MG RESISTOR	470Ω 1/16W J	
C2548	NCB31CK-104X	C CAPACITOR	0.1uF 16V K		R354	NRSA63J-471X	MG RESISTOR	470Ω 1/16W J	
C2549	NCB31CK-104X	C CAPACITOR	0.1uF 16V K		R355	NRSA63J-471X	MG RESISTOR	470Ω 1/16W J	
C2550	NCB31CK-104X	C CAPACITOR	0.1uF 16V K		R356	NRSA63J-471X	MG RESISTOR	470Ω 1/16W J	
C2551	NCB31CK-104X	C CAPACITOR	0.1uF 16V K		R357	NRSA63J-471X	MG RESISTOR	470Ω 1/16W J	
C2552	NCB31CK-104X	C CAPACITOR	0.1uF 16V K		R358	NRSA63J-471X	MG RESISTOR	470Ω 1/16W J	
C2553	NCB31CK-104X	C CAPACITOR	0.1uF 16V K		R359	NRSA63J-471X	MG RESISTOR	470Ω 1/16W J	
C2554	NCB31CK-104X	C CAPACITOR	0.1uF 16V K		R360	NRSA63J-471X	MG RESISTOR	470Ω 1/16W J	
C2555	NCB31CK-104X	C CAPACITOR	0.1uF 16V K		R361	NRSA63J-471X	MG RESISTOR	470Ω 1/16W J	
C2556	NCB31CK-104X	C CAPACITOR	0.1uF 16V K		R362	NRSA63J-471X	MG RESISTOR	470Ω 1/16W J	
C2557	NCB31CK-104X	C CAPACITOR	0.1uF 16V K		R363	NRSA63J-473X	MG RESISTOR	47kΩ 1/16W J	
C2558	NCB31CK-104X	C CAPACITOR	0.1uF 16V K		R364	NRSA63J-471X	MG RESISTOR	470Ω 1/16W J	
C2559	NCB31CK-104X	C CAPACITOR	0.1uF 16V K		R365	NRSA63J-473X	MG RESISTOR	47kΩ 1/16W J	
C2560	NBE51CM-476X	TA E CAPACITOR	47uF 16V M		R366	NRSA63J-471X	MG RESISTOR	470Ω 1/16W J	
C2561	NBE51CM-476X	TA E CAPACITOR	47uF 16V M		R367	NRSA63J-473X	MG RESISTOR	47kΩ 1/16W J	
C3901	NEAF1CM-226X	E CAPACITOR	22uF 16V M		R368	NRSA63J-392X	MG RESISTOR	3.9kΩ 1/16W J	
					R369	NRSA63J-103X	MG RESISTOR	10kΩ 1/16W J	
R101	NRS181J-0R0X	MG RESISTOR	0Ω 1/8W J		R370	NRSA63J-474X	MG RESISTOR	470kΩ 1/16W J	
R102	NRSA63J-271X	MG RESISTOR	270Ω 1/16W J		R371	NRSA63J-102X	MG RESISTOR	1kΩ 1/16W J	
R111	NRSA02J-102X	MG RESISTOR	1kΩ 1/10W J		R372	NRSA63J-471X	MG RESISTOR	470Ω 1/16W J	
R112	NRSA02J-102X	MG RESISTOR	1kΩ 1/10W J		R373	NRSA63J-392X	MG RESISTOR	3.9kΩ 1/16W J	
R113	NRSA02J-473X	MG RESISTOR	47kΩ 1/10W J		R374	NRSA63J-392X	MG RESISTOR	3.9kΩ 1/16W J	
R114	NRSA02J-104X	MG RESISTOR	100kΩ 1/10W J		R375	NRSA63J-392X	MG RESISTOR	3.9kΩ 1/16W J	
R121	NRSA02J-472X	MG RESISTOR	4.7kΩ 1/10W J		R376	NRSA02J-0R0X	MG RESISTOR	0Ω 1/10W J	
R122	NRSA02J-473X	MG RESISTOR	47kΩ 1/10W J		R381	NRSA63J-222X	MG RESISTOR	2.2kΩ 1/16W J	
R123	NRSA63J-473X	MG RESISTOR	47kΩ 1/16W J		R382	NRSA63J-473X	MG RESISTOR	47kΩ 1/16W J	
R124	NRSA63J-472X	MG RESISTOR	4.7kΩ 1/16W J		R383	NRSA02J-0R0X	MG RESISTOR	0Ω 1/10W J	
R125	NRSA63J-473X	MG RESISTOR	47kΩ 1/16W J		R391	NRSA63J-473X	MG RESISTOR	47kΩ 1/16W J	
R131	NRSA02J-104X	MG RESISTOR	100kΩ 1/10W J		R392	NRSA63J-473X	MG RESISTOR	47kΩ 1/16W J	
R132	NRSA02J-103X	MG RESISTOR	10kΩ 1/10W J		R393	NRSA63J-473X	MG RESISTOR	47kΩ 1/16W J	
R133	NRSA63J-473X	MG RESISTOR	47kΩ 1/16W J		R394	NRSA63J-471X	MG RESISTOR	470Ω 1/16W J	
R301	NRSA63J-103X	MG RESISTOR	10kΩ 1/16W J		R401	NRSA63J-102X	MG RESISTOR	1kΩ 1/16W J	
R302	NRSA63J-103X	MG RESISTOR	10kΩ 1/16W J		R402	NRSA63J-102X	MG RESISTOR	1kΩ 1/16W J	
R303	NRSA63J-103X	MG RESISTOR	10kΩ 1/16W J		R403	NRSA63J-102X	MG RESISTOR	1kΩ 1/16W J	

△ Symbol No.	Part No.	Part Name	Description	Local	△ Symbol No.	Part No.	Part Name	Description	Local
R404	NRSA63J-102X	MG RESISTOR	1kΩ 1/16W J		R931	NRSA63J-101X	MG RESISTOR	100Ω 1/16W J	
R411	NRSA63J-331X	MG RESISTOR	330Ω 1/16W J		R932	NRSA63J-220X	MG RESISTOR	22Ω 1/16W J	
R501	NRSA02J-0R0X	MG RESISTOR	0Ω 1/10W J		R942	NRSA63J-362X	MG RESISTOR	3.6kΩ 1/16W J	
R511	NRSA63J-393X	MG RESISTOR	39kΩ 1/16W J		R943	NRSA63J-222X	MG RESISTOR	2.2kΩ 1/16W J	
R512	NRSA63J-163X	MG RESISTOR	16kΩ 1/16W J		R945	NRSA63J-0R0X	MG RESISTOR	0Ω 1/16W J	
R513	NRSA63J-222X	MG RESISTOR	2.2kΩ 1/16W J		R946	NRSA63J-752X	MG RESISTOR	7.5kΩ 1/16W J	
R514	NRSA02J-0R0X	MG RESISTOR	0Ω 1/10W J		R947	NRSA63J-392X	MG RESISTOR	3.9kΩ 1/16W J	
R521	NRSA63J-473X	MG RESISTOR	47kΩ 1/16W J		R962	NRSA63J-513X	MG RESISTOR	51kΩ 1/16W J	
R522	NRSA63J-473X	MG RESISTOR	47kΩ 1/16W J		R963	NRSA63J-513X	MG RESISTOR	51kΩ 1/16W J	
R523	NRSA63J-473X	MG RESISTOR	47kΩ 1/16W J		R964	NRSA63J-472X	MG RESISTOR	4.7kΩ 1/16W J	
R531	NRSA63J-473X	MG RESISTOR	47kΩ 1/16W J		R965	NRSA02J-0R0X	MG RESISTOR	0Ω 1/10W J	
R532	NRSA63J-473X	MG RESISTOR	47kΩ 1/16W J		R966	NRSA02J-0R0X	MG RESISTOR	0Ω 1/10W J	
R533	NRSA63J-473X	MG RESISTOR	47kΩ 1/16W J		R967	NRSA63J-0R0X	MG RESISTOR	0Ω 1/16W J	
R541	NRSA63J-153X	MG RESISTOR	15kΩ 1/16W J		R968	NRSA63J-153X	MG RESISTOR	15kΩ 1/16W J	
R542	NRSA63J-222X	MG RESISTOR	2.2kΩ 1/16W J		R969	NRSA63J-392X	MG RESISTOR	3.9kΩ 1/16W J	
R543	NRSA63J-102X	MG RESISTOR	1kΩ 1/16W J		R997	NRSA02J-0R0X	MG RESISTOR		
R544	NRSA63J-222X	MG RESISTOR	2.2kΩ 1/16W J		R1007	NRSA63J-470X	MG RESISTOR	47Ω 1/16W J	
R601	NRSA63J-471X	MG RESISTOR	470Ω 1/16W J		R1008	NRSA63J-470X	MG RESISTOR	47Ω 1/16W J	
R751	NRSA63J-471X	MG RESISTOR	470Ω 1/16W J		R1009	NRSA63J-470X	MG RESISTOR	47Ω 1/16W J	
R752	NRSA63J-471X	MG RESISTOR	470Ω 1/16W J		R1010	NRSA63J-470X	MG RESISTOR	47Ω 1/16W J	
R753	NRSA63J-471X	MG RESISTOR	470Ω 1/16W J		R1011	NRSA63J-470X	MG RESISTOR	47Ω 1/16W J	
R754	NRSA63J-0R0X	MG RESISTOR	0Ω 1/16W J		R1012	NRSA63J-470X	MG RESISTOR	47Ω 1/16W J	
R755	NRSA63J-471X	MG RESISTOR	470Ω 1/16W J		R1013	NRSA63J-470X	MG RESISTOR	47Ω 1/16W J	
R756	NRSA63J-471X	MG RESISTOR	470Ω 1/16W J		R1014	NRSA63J-470X	MG RESISTOR	47Ω 1/16W J	
R757	NRSA63J-471X	MG RESISTOR	470Ω 1/16W J		R1015	NRSA63J-100X	MG RESISTOR	10Ω 1/16W J	
R758	NRSA63J-471X	MG RESISTOR	470Ω 1/16W J		R1016	NRSA63J-470X	MG RESISTOR	47Ω 1/16W J	
R759	NRSA63J-471X	MG RESISTOR	470Ω 1/16W J		R1017	NRSA63J-470X	MG RESISTOR	47Ω 1/16W J	
R760	NRSA63J-471X	MG RESISTOR	470Ω 1/16W J		R1018	NRSA63J-470X	MG RESISTOR	47Ω 1/16W J	
R761	NRSA63J-473X	MG RESISTOR	47kΩ 1/16W J		R1019	NRSA63J-470X	MG RESISTOR	47Ω 1/16W J	
R762	NRSA63J-222X	MG RESISTOR	2.2kΩ 1/16W J		R1020	NRSA63J-470X	MG RESISTOR	47Ω 1/16W J	
R763	NRSA63J-473X	MG RESISTOR	47kΩ 1/16W J		R1021	NRSA63J-470X	MG RESISTOR	47Ω 1/16W J	
R801	NRSA63J-103X	MG RESISTOR	10kΩ 1/16W J		R1022	NRSA63J-470X	MG RESISTOR	47Ω 1/16W J	
R802	NRSA63J-0R0X	MG RESISTOR	0Ω 1/16W J		R1023	NRSA63J-470X	MG RESISTOR	47Ω 1/16W J	
R803	NRSA63J-472X	MG RESISTOR	4.7kΩ 1/16W J		R1024	NRSA63J-470X	MG RESISTOR	47Ω 1/16W J	
R804	NRSA63J-472X	MG RESISTOR	4.7kΩ 1/16W J		R1025	NRSA63J-470X	MG RESISTOR	47Ω 1/16W J	
R805	NRSA63J-154X	MG RESISTOR	150kΩ 1/16W J		R1026	NRSA63J-470X	MG RESISTOR	47Ω 1/16W J	
R806	NRSA63J-103X	MG RESISTOR	10kΩ 1/16W J		R1027	NRSA63J-470X	MG RESISTOR	47Ω 1/16W J	
R807	NRSA63J-0R0X	MG RESISTOR	0Ω 1/16W J		R1028	NRSA63J-470X	MG RESISTOR	47Ω 1/16W J	
R808	NRSA63J-472X	MG RESISTOR	4.7kΩ 1/16W J		R1045	NRSA63J-470X	MG RESISTOR	47Ω 1/16W J	
R809	NRSA63J-472X	MG RESISTOR	4.7kΩ 1/16W J		R1046	NRSA63J-122X	MG RESISTOR	1.2kΩ 1/16W J	
R810	NRSA63J-683X	MG RESISTOR	68kΩ 1/16W J		R1048	NRSA63J-471X	MG RESISTOR	470Ω 1/16W J	
R811	NRSA63J-103X	MG RESISTOR	10kΩ 1/16W J		R1049	NRSA63J-101X	MG RESISTOR	100Ω 1/16W J	
R812	NRSA63J-472X	MG RESISTOR	4.7kΩ 1/16W J		R1050	NRSA63J-471X	MG RESISTOR	470Ω 1/16W J	
R813	NRSA63J-472X	MG RESISTOR	4.7kΩ 1/16W J		R1051	NRSA63J-471X	MG RESISTOR	470Ω 1/16W J	
R814	NRSA63J-154X	MG RESISTOR	150kΩ 1/16W J		R1052	NRSA63J-152X	MG RESISTOR	1.5kΩ 1/16W J	
R815	NRSA63J-0R0X	MG RESISTOR	0Ω 1/16W J		R1054	NRSA63J-471X	MG RESISTOR	470Ω 1/16W J	
R816	NRSA63J-103X	MG RESISTOR	10kΩ 1/16W J		R1055	NRSA63J-162X	MG RESISTOR	1.6kΩ 1/16W J	
R817	NRSA63J-472X	MG RESISTOR	4.7kΩ 1/16W J		R1056	NRSA63J-162X	MG RESISTOR	1.6kΩ 1/16W J	
R818	NRSA63J-472X	MG RESISTOR	4.7kΩ 1/16W J		R1058	NRSA63J-100X	MG RESISTOR	10Ω 1/16W J	
R819	NRSA63J-0R0X	MG RESISTOR	0Ω 1/16W J		R1060	NRSA63J-750X	MG RESISTOR	75Ω 1/16W J	
R820	NRSA63J-154X	MG RESISTOR	150kΩ 1/16W J		R1061	NRSA63J-750X	MG RESISTOR	75Ω 1/16W J	
R821	NRSA63J-103X	MG RESISTOR	10kΩ 1/16W J		R1063	NRSA63J-622X	MG RESISTOR	6.2kΩ 1/16W J	
R822	NRSA63J-331X	MG RESISTOR	330Ω 1/16W J		R1064	NRSA63J-132X	MG RESISTOR	1.3kΩ 1/16W J	
R823	NRSA63J-471X	MG RESISTOR	470Ω 1/16W J		R1078	NRSA63J-220X	MG RESISTOR	22Ω 1/16W J	
R824	NRSA63J-471X	MG RESISTOR	470Ω 1/16W J		R1079	NRSA63J-220X	MG RESISTOR	22Ω 1/16W J	
R825	NRSA63J-471X	MG RESISTOR	470Ω 1/16W J		R1080	NRSA63J-220X	MG RESISTOR	22Ω 1/16W J	
R826	NRSA63J-752X	MG RESISTOR	7.5kΩ 1/16W J		R1081	NRSA63J-220X	MG RESISTOR	22Ω 1/16W J	
R827	NRSA63J-622X	MG RESISTOR	6.2kΩ 1/16W J		R1083	NRSA63J-220X	MG RESISTOR	22Ω 1/16W J	
R828	NRSA63J-183X	MG RESISTOR	18kΩ 1/16W J		R1084	NRSA63J-220X	MG RESISTOR	22Ω 1/16W J	
R829	NRSA63J-273X	MG RESISTOR	27kΩ 1/16W J		R1086	NRSA63J-220X	MG RESISTOR	22Ω 1/16W J	
R902	NRSA63J-0R0X	MG RESISTOR	0Ω 1/16W J		R1087	NRSA63J-220X	MG RESISTOR	22Ω 1/16W J	
R903	NRSA63J-822X	MG RESISTOR	8.2kΩ 1/16W J		R1088	NRSA63J-220X	MG RESISTOR	22Ω 1/16W J	
R904	NRSA63J-222X	MG RESISTOR	2.2kΩ 1/16W J		R1089	NRSA63J-220X	MG RESISTOR	22Ω 1/16W J	
R905	NRSA02J-0R0X	MG RESISTOR	0Ω 1/10W J		R1090	NRSA63J-220X	MG RESISTOR	22Ω 1/16W J	
R906	NRSA02J-0R0X	MG RESISTOR	0Ω 1/10W J		R1091	NRSA63J-220X	MG RESISTOR	22Ω 1/16W J	
R907	NRSA02J-0R0X	MG RESISTOR	0Ω 1/10W J		R1092	NRSA63J-220X	MG RESISTOR	22Ω 1/16W J	
R908	NRSA63J-0R0X	MG RESISTOR	0Ω 1/16W J		R1094	NRSA63J-220X	MG RESISTOR	22Ω 1/16W J	
R909	NRSA63J-103X	MG RESISTOR	10kΩ 1/16W J		R1095	NRSA63J-220X	MG RESISTOR	22Ω 1/16W J	
R910	NRSA02J-0R0X	MG RESISTOR	0Ω 1/10W J		R1096	NRSA63J-220X	MG RESISTOR	22Ω 1/16W J	
R911	NRSA02J-0R0X	MG RESISTOR	0Ω 1/10W J		R1097	NRSA63J-220X	MG RESISTOR	22Ω 1/16W J	
R912	NRSA63J-392X	MG RESISTOR	3.9kΩ 1/16W J		R1098	NRSA63J-220X	MG RESISTOR	22Ω 1/16W J	
R913	NRSA63J-512X	MG RESISTOR	5.1kΩ 1/16W J		R1099	NRSA63J-103X	MG RESISTOR	10kΩ 1/16W J	
R922	NRSA63J-362X	MG RESISTOR	3.6kΩ 1/16W J		R1100	NRSA63J-220X	MG RESISTOR	22Ω 1/16W J	
R923	NRSA63J-222X	MG RESISTOR	2.2kΩ 1/16W J		R1101	NRSA63J-220X	MG RESISTOR	22Ω 1/16W J	
R924	NRSA02J-0R0X	MG RESISTOR	0Ω 1/10W J		R1102	NRSA63J-220X	MG RESISTOR	22Ω 1/16W J	
R925	NRSA63J-0R0X	MG RESISTOR	0Ω 1/16W J		R1103	NRSA63J-471X	MG RESISTOR	470Ω 1/16W J	
R926	NRSA63J-102X	MG RESISTOR	1kΩ 1/16W J		R1104	NRSA63J-471X	MG RESISTOR	470Ω 1/16W J	
R927	NRSA63J-103X	MG RESISTOR	10kΩ 1/16W J		R1105	NRSA63J-471X	MG RESISTOR	470Ω 1/16W J	

△ Symbol No.	Part No.	Part Name	Description	Local	△ Symbol No.	Part No.	Part Name	Description	Local
R2522	NRSA63J-100X	MG RESISTOR	10Ω 1/16W J		K101	NQR0007-002X	FERRITE BEADS		
R2523	NRSA63J-681X	MG RESISTOR	680Ω 1/16W J		K102	NQR0007-002X	FERRITE BEADS		
R2524	NRSA63J-0R0X	MG RESISTOR	0Ω 1/16W J		K501	NQR0251-004X	FERRITE BEADS		
R2525	NRSA63J-102X	MG RESISTOR	1kΩ 1/16W J		K502	NQR0251-004X	FERRITE BEADS		
R2526	NRSA63J-101X	MG RESISTOR	100Ω 1/16W J		K503	NQR0251-004X	FERRITE BEADS		
R2527	NRSA63J-101X	MG RESISTOR	100Ω 1/16W J		K504	NQR0251-004X	FERRITE BEADS		
R2528	NRSA63J-101X	MG RESISTOR	100Ω 1/16W J		K901	NQR0325-002X	FERRITE BEADS		
R2529	NRSA63J-101X	MG RESISTOR	100Ω 1/16W J		K902	NQR0325-002X	FERRITE BEADS		
R2532	NRSA63J-101X	MG RESISTOR	100Ω 1/16W J		K903	NQR0325-002X	FERRITE BEADS		
R2533	NRSA63J-101X	MG RESISTOR	100Ω 1/16W J		K904	NQR0325-002X	FERRITE BEADS		
R2534	NRSA63J-101X	MG RESISTOR	100Ω 1/16W J		K906	NQR0325-002X	FERRITE BEADS		
R2535	NRSA63J-103X	MG RESISTOR	10kΩ 1/16W J		K907	NQR0325-002X	FERRITE BEADS		
R2536	NRSA63J-101X	MG RESISTOR	100Ω 1/16W J		K908	NQR0325-002X	FERRITE BEADS		
R2537	NRSA63J-103X	MG RESISTOR	10kΩ 1/16W J		K912	NQR0325-002X	FERRITE BEADS		
R2538	NRSA63J-103X	MG RESISTOR	10kΩ 1/16W J		K913	NQR0325-002X	FERRITE BEADS		
R2539	NRSA63J-101X	MG RESISTOR	100Ω 1/16W J		K914	NQR0325-002X	FERRITE BEADS		
R2540	NRSA63J-101X	MG RESISTOR	100Ω 1/16W J		K1002	NQR0007-002X	FERRITE BEADS		
R2541	NRSA63J-101X	MG RESISTOR	100Ω 1/16W J		K1003	NQR0007-002X	FERRITE BEADS		
R2542	NRSA63J-101X	MG RESISTOR	100Ω 1/16W J		K1004	NQR0007-002X	FERRITE BEADS		
R2543	NRSA63J-103X	MG RESISTOR	10kΩ 1/16W J		K1005	NQR0007-002X	FERRITE BEADS		
R2544	NRSA63J-103X	MG RESISTOR	10kΩ 1/16W J		K1006	NQR0007-002X	FERRITE BEADS		
R2545	NRSA63J-103X	MG RESISTOR	10kΩ 1/16W J		K1007	NQR0325-002X	FERRITE BEADS		
R2546	NRSA63J-332X	MG RESISTOR	3.3kΩ 1/16W J		K1008	NQR0325-002X	FERRITE BEADS		
R2547	NRSA63J-332X	MG RESISTOR	3.3kΩ 1/16W J		K1201	NQR0325-002X	FERRITE BEADS		
R2550	NRSA63J-0R0X	MG RESISTOR	0Ω 1/16W J		K1321	NQR0251-004X	FERRITE BEADS		
R2551	NRSA63J-103X	MG RESISTOR	10kΩ 1/16W J		K1401	NQR0251-004X	FERRITE BEADS		
R2558	NRSA63J-0R0X	MG RESISTOR	0Ω 1/16W J		K1402	NQR0251-004X	FERRITE BEADS		
R2560	NRSA63J-103X	MG RESISTOR	10kΩ 1/16W J		K1601	NQR0251-004X	FERRITE BEADS		
R2561	NRSA63J-103X	MG RESISTOR	10kΩ 1/16W J		K1911	NQR0201-004X	FERRITE BEADS		
R2562	NRSA63J-103X	MG RESISTOR	10kΩ 1/16W J		K2001	NQR0325-002X	FERRITE BEADS		
R2563	NRSA63J-103X	MG RESISTOR	10kΩ 1/16W J		K2002	NQR0325-002X	FERRITE BEADS		
R2564	NRSA63J-103X	MG RESISTOR	10kΩ 1/16W J		K2401	NQR0389-003X	FERRITE BEADS		
R2565	NRSA63J-103X	MG RESISTOR	10kΩ 1/16W J		K2402	NQR0389-003X	FERRITE BEADS		
R2566	NRSA63J-103X	MG RESISTOR	10kΩ 1/16W J		K2403	NQR0251-004X	FERRITE BEADS		
R2567	NRSA63J-103X	MG RESISTOR	10kΩ 1/16W J		K2404	NQR0251-004X	FERRITE BEADS		
R2568	NRSA63J-0R0X	MG RESISTOR	0Ω 1/16W J		K2405	NQR0251-004X	FERRITE BEADS		
R2569	NRSA63J-100X	MG RESISTOR	10Ω 1/16W J		K2406	NQR0251-004X	FERRITE BEADS		
L101	QQR1620-001	CHOKE COIL			K2408	NQR0389-003X	FERRITE BEADS		
L321	NQL085J-220X	COIL	22uH J		K2409	NQR0389-003X	FERRITE BEADS		
L501	NQL085J-470X	COIL	47uH J		K2410	NQR0389-003X	FERRITE BEADS		
L521	NQL32CM-100X	COIL	10uH M		K2411	NQR0389-003X	FERRITE BEADS		
L522	NQL32CM-2R2X	COIL	2.2uH M		K2412	NQR0389-003X	FERRITE BEADS		
L551	NQL085J-220X	COIL	22uH J		K2413	NQR0389-003X	FERRITE BEADS		
L561	NQL085J-220X	COIL	22uH J		K2414	NQR0389-003X	FERRITE BEADS		
L801	NQL085J-100X	COIL	10uH J		K2415	NQR0389-003X	FERRITE BEADS		
L901	NQL49CM-220X	COIL	22uH M		K2501	NQR0325-002X	FERRITE BEADS		
L902	NQL085J-100X	COIL	10uH J		K2502	NQR0325-002X	FERRITE BEADS		
L905	NQL32CM-220X	COIL	22uH M		K2503	NQR0007-002X	FERRITE BEADS		
L921	NQL49CM-4R7X	COIL	4.7uH M		K2504	NQR0007-002X	FERRITE BEADS		
L922	NQL32CM-100X	COIL	10uH M		K2505	NQR0007-002X	FERRITE BEADS		
L941	NQL49CM-4R7X	COIL	4.7uH M		K2506	NQR0007-002X	FERRITE BEADS		
L942	NQL32CM-100X	COIL	10uH M		K2507	NQR0325-002X	FERRITE BEADS		
L943	NQL49CM-100X	COIL	10uH M		K2508	NQR0325-002X	FERRITE BEADS		
L961	NQL32CM-220X	COIL	22uH M		K909(NQR0325-002X	FERRITE BEADS		
L962	NQL32CM-220X	COIL	22uH M		K910(NQR0325-002X	FERRITE BEADS		
L1001	NQL044K-100X	COIL	0.26Ω 10uH K		R997	NRSA02J-0R0X	MG RESISTOR	0Ω 1/10W J	
L1501	NQL114K-470X	COIL	47uH K		S3901	NSW0227-001X	DETECT SWITCH		
L1901	NQL114K-470X	COIL	47uH K		TH31	NAD0028-103X	N THERMISTOR	10kΩ	
L1911	NQL085J-2R2X	COIL	2.2uH J		X301	NAX0688-001X	CRYSTAL		
L1912	NQL085J-2R2X	COIL	2.2uH J		X302	NAX0244-001X	CRYSTAL		
L2001	NQL012K-101X	COIL	100uH K		X1001	NAX0714-001X	CRYSTAL		
BZ31	QAN0023-001Z	BUZZER			X2201	NAX0689-001X	CRYSTAL		
CN1	QGA4201F1-06	CONNECTOR	W-B (1-6)		X2501	NAX0687-001X	CRYSTAL		
CN39	QGA1002F1-07X	CONNECTOR	W-B (1-7)						
CN52	QGF0529C1-45W	CONNECTOR	FFC/FPC (1-45)						
CN71	QGF1034C1-20X	CONNECTOR	FFC/FPC (1-20)						
CN75	QGF0534F1-13X	CONNECTOR	FFC/FPC (1-13)						
CN101	QGF0529C1-50W	CONNECTOR	FFC/FPC (1-50)						
CN201	NNZ0109-001	D CONNECTOR							
CN381	QGF1006F1-20W	CONNECTOR	FFC/FPC (1-20)						
CN382	QNZ0691-001	D CONNECTOR							
CN391	QGF0503C1-24V	CONNECTOR	FFC/FPC (1-24)						
CN392	NNZ0112-001	CAR CONNECTOR							
△ F521	NMFZ018-3R0X-E	FUSE	3A						
△ F522	NMFZ018-1R5X-E	FUSE	1.5A						
△ F531	NMFZ018-3R0X-E	FUSE	3A						

Switch board

Block No. [0][2]

△ Symbol No.	Part No.	Part Name	Description	Local
IC291	NJU6535FH1	IC		
IC293	RPM6938-V4	IC		
Q2941	2SB709A/R/-X	TRANSISTOR		
Q2942	UN2211-X	TRANSISTOR		

△ Symbol No. Part No. Part Name Description Local

Monitor board

Block No. [0][3]

△ Symbol No.	Part No.	Part Name	Description	Local
D2941	MA152WK-X	SI DIODE		
D2942	SML-310LT/MN/-X	LED		
D2943	SML-310LT/MN/-X	LED		
D2944	NSCW505CT/BST-X	LED		
C2902	NCB31CK-104X	C CAPACITOR	0.1uF 16V K	
C2903	NBE41CM-106X	TA E CAPACITOR	10uF 16V M	
C2921	NCB31HK-103X	C CAPACITOR	0.01uF 50V K	
C2931	NBE41CM-106X	TA E CAPACITOR	10uF 16V M	
C2961	NCB31HK-103X	C CAPACITOR	0.01uF 50V K	
C2971	NCB31CK-104X	C CAPACITOR	0.1uF 16V K	
C2972	NCB31CK-104X	C CAPACITOR	0.1uF 16V K	
C2973	NCB31CK-104X	C CAPACITOR	0.1uF 16V K	
R2901	NRSA63J-102X	MG RESISTOR	1kΩ 1/16W J	
R2903	NRSA63J-102X	MG RESISTOR	1kΩ 1/16W J	
R2905	NRSA63J-102X	MG RESISTOR	1kΩ 1/16W J	
R2907	NRSA63J-102X	MG RESISTOR	1kΩ 1/16W J	
R2908	NRSA63J-103X	MG RESISTOR	10kΩ 1/16W J	
R2909	NRSA63J-102X	MG RESISTOR	1kΩ 1/16W J	
R2910	NRSA63J-471X	MG RESISTOR	470Ω 1/16W J	
R2911	NRSA63J-471X	MG RESISTOR	470Ω 1/16W J	
R2912	NRSA63J-471X	MG RESISTOR	470Ω 1/16W J	
R2913	NRSA63J-471X	MG RESISTOR	470Ω 1/16W J	
R2914	NRSA63J-471X	MG RESISTOR	470Ω 1/16W J	
R2915	NRSA63J-471X	MG RESISTOR	470Ω 1/16W J	
R2916	NRSA63J-471X	MG RESISTOR	470Ω 1/16W J	
R2917	NRSA63J-471X	MG RESISTOR	470Ω 1/16W J	
R2918	NRSA63J-471X	MG RESISTOR	470Ω 1/16W J	
R2919	NRSA63J-0R0X	MG RESISTOR	0Ω 1/16W J	
R2923	NRSA02J-0R0X	MG RESISTOR	0Ω 1/10W J	
R2931	NRSA63J-470X	MG RESISTOR	47Ω 1/16W J	
R2932	NRSA63J-103X	MG RESISTOR	10kΩ 1/16W J	
R2933	NRSA63J-471X	MG RESISTOR	470Ω 1/16W J	
R2941	NRSA02J-561X	MG RESISTOR	560Ω 1/10W J	
R2942	NRSA02J-561X	MG RESISTOR	560Ω 1/10W J	
R2943	NRS181J-182X	MG RESISTOR	1.8kΩ 1/8W J	
R2944	NRS181J-182X	MG RESISTOR	1.8kΩ 1/8W J	
R2945	NRS181J-122X	MG RESISTOR	1.2kΩ 1/8W J	
R2946	NRS181J-122X	MG RESISTOR	1.2kΩ 1/8W J	
R2947	NRS181J-122X	MG RESISTOR	1.2kΩ 1/8W J	
R2948	NRS181J-122X	MG RESISTOR	1.2kΩ 1/8W J	
R2949	NRS181J-122X	MG RESISTOR	1.2kΩ 1/8W J	
R2950	NRS181J-122X	MG RESISTOR	1.2kΩ 1/8W J	
R2951	NRS181J-122X	MG RESISTOR	1.2kΩ 1/8W J	
R2952	NRS181J-122X	MG RESISTOR	1.2kΩ 1/8W J	
R2953	NRSA02J-121X	MG RESISTOR	120Ω 1/10W J	
R2954	NRSA02J-121X	MG RESISTOR	120Ω 1/10W J	
R2955	NRSA02J-102X	MG RESISTOR	1kΩ 1/10W J	
R2956	NRSA02J-102X	MG RESISTOR	1kΩ 1/10W J	
R2957	NRSA02J-223X	MG RESISTOR	22kΩ 1/10W J	
R2958	NRSA02J-102X	MG RESISTOR	1kΩ 1/10W J	
R2959	NRSA02J-222X	MG RESISTOR	2.2kΩ 1/10W J	
R2961	NRSA63J-471X	MG RESISTOR	470Ω 1/16W J	
R2962	NRSA63J-222X	MG RESISTOR	2.2kΩ 1/16W J	
R2963	NRSA63J-472X	MG RESISTOR	4.7kΩ 1/16W J	
R2964	NRSA63J-103X	MG RESISTOR	10kΩ 1/16W J	
R2971	NRSA63J-102X	MG RESISTOR	1kΩ 1/16W J	
CN291	QGF0501F2-13X	CONNECTOR	FFC/FPC (1-13)	
S2901	NSW0240-001X	TACT SWITCH		
S2902	NSW0240-001X	TACT SWITCH		
S2903	NSW0240-001X	TACT SWITCH		
S2904	NSW0240-001X	TACT SWITCH		
S2905	NSW0240-001X	TACT SWITCH		
S2961	NSW0220-001X	TACT SW		
S2962	NSW0240-001X	TACT SWITCH		
S2963	NSW0240-001X	TACT SWITCH		
S2964	NSW0240-001X	TACT SWITCH		
S2965	NSW0240-001X	TACT SWITCH		
S2971	NSW0227-001X	DETECT SWITCH		

△ Symbol No. Part No. Part Name Description Local

IC401	UPD780053GC-184	IC(MCU)		
IC402	BD4833FVE-W	IC		
IC403	BR24L01AF-W-X	IC		
IC411	M37540M2-485GP	IC		
IC412	BR24L01AF-W-X	IC		
IC421	IR3T42	IC		
IC427	SN74LVC1G04K-X	IC		
IC431	RB5P006AM	IC		
IC441	LZ9FE30	IC		
IC443	SN74LVC1G04K-X	IC		
IC445	NJM2107F-X	IC		
IC448	SN74LVC2G74U-X	IC		
IC471	OZ9611SN-X	IC		
IC473	NJM78L05UA-X	IC		
IC481	LT13761S8-X	IC		
IC482	BA3259HFP-W	IC		
IC483	LT1947EMS-X	IC		
IC486	NJM78L05UA-X	IC		
IC487	NJM78L05UA-X	IC		
IC491	TC74HC40103AFXE	IC		
IC492	SN74LV123APW-X	IC		
IC501	NJM2125F-X	IC		
IC502	NJM2125F-X	IC		
Q4101	DTC114EUA-X	DIGI TRANSISTOR		
Q4321	2SA1576A/QR/-X	TRANSISTOR		
Q4322	2SC4097/R/-X	TRANSISTOR		
Q4323	2SC4097/R/-X	TRANSISTOR		
Q4324	2SA1576A/QR/-X	TRANSISTOR		
Q4435	2SC4097/R/-X	TRANSISTOR		
Q4551	2SC4097/R/-X	TRANSISTOR		
Q4701	UPA1890GR-9JG-X	POWER MOS FET		
Q4702	UPA1890GR-9JG-X	POWER MOS FET		
Q4831	2SB1424/QR/-W	TRANSISTOR		
Q4851	2SD1623/ST/-X	2SD1623		
Q4852	DTC114EUA-X	DIGI TRANSISTOR		
Q4853	2SA1576A/QR/-X	TRANSISTOR		
Q4854	DTC114EUA-X	DIGI TRANSISTOR		
Q5101	2SA1576A/QR/-X	TRANSISTOR		
Q5102	DTC114EUA-X	DIGI TRANSISTOR		
D4101	MA111-X	SI DIODE		
D4102	MA111-X	SI DIODE		
D4103	RB521S-30-X	SB DIODE		
D4104	RB521S-30-X	SB DIODE		
D4105	RB521S-30-X	SB DIODE		
D4106	RB521S-30-X	SB DIODE		
D4451	MA111-X	SI DIODE		
D4452	MA357-X	VARI CAP DIODE		
D4453	MA8051/M/-X	Z DIODE		
D4471	MA716-X	S.B.DIODE X2		
D4491	MA111-X	SI DIODE		
D4501	MA8051/M/-X	Z DIODE		
D4701	MA8047/M/-X	Z DIODE		
D4702	MA8047/M/-X	Z DIODE		
D4703	BAV99L-X	SI DIODE		
D4704	BAV99L-X	SI DIODE		
D4801	RSX201L-30-X	SB DIODE		
D4802	RSX201L-30-X	SB DIODE		
D4831	RSX201L-30-X	SB DIODE		
D4832	RB521S-30-X	SB DIODE		
D4833	RB521S-30-X	SB DIODE		
D4834	RB521S-30-X	SB DIODE		
D4835	RB521S-30-X	SB DIODE		
D4836	RB521S-30-X	SB DIODE		
D4837	MA8150/M/-X	Z DIODE		
D4838	MA8056/M/-X	Z DIODE		
D4851	MA8110/L/-X	Z DIODE		
D4852	MA8062/M/-X	Z DIODE		
D4901	BAV99L-X	SI DIODE		
D5001	AM-30-21-X	PHOTO CONDUCTOR		
D5002	MA8062/M/-X	Z DIODE		
D5101	SML-310LT/MN/-X	LED		

△ Symbol No.	Part No.	Part Name	Description	Local	△ Symbol No.	Part No.	Part Name	Description	Local
D5102	SML-310LT/MN/-X	LED			C4242	NCB31CK-104X	C CAPACITOR	0.1uF 16V K	
D5103	SML-310LT/MN/-X	LED			C4243	NCB30JK-105X	C CAPACITOR	1uF 6.3V K	
D5104	SML-310LT/MN/-X	LED			C4244	NBE41AM-476X	TA E CAPACITOR	47uF 10V M	
D5105	SML-310LT/MN/-X	LED			C4245	NBE41AM-476X	TA E CAPACITOR	47uF 10V M	
D5106	SML-310LT/MN/-X	LED			C4271	NCB31CK-104X	C CAPACITOR	0.1uF 16V K	
C4001	NCB31CK-104X	C CAPACITOR	0.1uF 16V K		C4301	NCB31CK-104X	C CAPACITOR	0.1uF 16V K	
C4002	NCB31HK-103X	C CAPACITOR	0.01uF 50V K		C4302	NBE41AM-476X	TA E CAPACITOR	47uF 10V M	
C4005	NCB31HK-103X	C CAPACITOR	0.01uF 50V K		C4303	NCB31CK-104X	C CAPACITOR	0.1uF 16V K	
C4006	NCB31HK-103X	C CAPACITOR	0.01uF 50V K		C4304	NCJ11EK-106X-A	C CAPACITOR		
C4007	NCB31HK-103X	C CAPACITOR	0.01uF 50V K		C4305	NCB30JK-105X	C CAPACITOR	1uF 6.3V K	
C4008	NDC31HJ-101X	C CAPACITOR	100pF 50V J		C4306	NBE41AM-476X	TA E CAPACITOR	47uF 10V M	
C4009	NCB31CK-104X	C CAPACITOR	0.1uF 16V K		C4307	NCB30JK-105X	C CAPACITOR	1uF 6.3V K	
C4010	NCB31CK-104X	C CAPACITOR	0.1uF 16V K		C4308	NCB31HK-103X	C CAPACITOR	0.01uF 50V K	
C4011	NDC31HJ-330X	C CAPACITOR	33pF 50V J		C4309	NCB31HK-103X	C CAPACITOR	0.01uF 50V K	
C4012	NDC31HJ-330X	C CAPACITOR	33pF 50V J		C4310	NCB30JK-105X	C CAPACITOR	1uF 6.3V K	
C4013	NDC31HJ-101X	C CAPACITOR	100pF 50V J		C4311	NCB31HK-103X	C CAPACITOR	0.01uF 50V K	
C4014	NDC31HJ-101X	C CAPACITOR	100pF 50V J		C4312	NCB31HK-103X	C CAPACITOR	0.01uF 50V K	
C4015	NCB31CK-104X	C CAPACITOR	0.1uF 16V K		C4313	NCB31HK-103X	C CAPACITOR	0.01uF 50V K	
C4016	NCB31CK-104X	C CAPACITOR	0.1uF 16V K		C4314	NCB31CK-104X	C CAPACITOR	0.1uF 16V K	
C4021	NCB31HK-103X	C CAPACITOR	0.01uF 50V K		C4315	NCB31AK-474X	C CAPACITOR	0.47uF 10V K	
C4022	NCB31HK-103X	C CAPACITOR	0.01uF 50V K		C4316	NCB31HK-103X	C CAPACITOR	0.01uF 50V K	
C4031	NCB31CK-104X	C CAPACITOR	0.1uF 16V K		C4317	NCB30JK-105X	C CAPACITOR	1uF 6.3V K	
C4032	NDC31HJ-101X	C CAPACITOR	100pF 50V J		C4318	NCB30JK-105X	C CAPACITOR	1uF 6.3V K	
C4041	NCB31CK-104X	C CAPACITOR	0.1uF 16V K		C4319	NCB30JK-105X	C CAPACITOR	1uF 6.3V K	
C4051	NCB31CK-104X	C CAPACITOR	0.1uF 16V K		C4320	NCB31CK-104X	C CAPACITOR	0.1uF 16V K	
C4052	NCB31CK-104X	C CAPACITOR	0.1uF 16V K		C4321	NBE41AM-476X	TA E CAPACITOR	47uF 10V M	
C4101	NCB31CK-104X	C CAPACITOR	0.1uF 16V K		C4322	NCB31CK-104X	C CAPACITOR	0.1uF 16V K	
C4102	NCB31CK-104X	C CAPACITOR	0.1uF 16V K		C4323	NDC31HJ-101X	C CAPACITOR	100pF 50V J	
C4103	NCB31CK-104X	C CAPACITOR	0.1uF 16V K		C4324	NCJ11EK-106X-A	C CAPACITOR		
C4104	NCB31CK-104X	C CAPACITOR	0.1uF 16V K		C4325	NCB30JK-105X	C CAPACITOR	1uF 6.3V K	
C4105	NCB30JK-105X	C CAPACITOR	1uF 6.3V K		C4326	NCJ11EK-106X-A	C CAPACITOR		
C4106	NCB30JK-105X	C CAPACITOR	1uF 6.3V K		C4327	NCJ11EK-106X-A	C CAPACITOR		
C4107	NCB30JK-105X	C CAPACITOR	1uF 6.3V K		C4372	NDC31HJ-360X	C CAPACITOR	36pF 50V J	
C4108	NDC31HJ-101X	C CAPACITOR	100pF 50V J		C4375	NCB31CK-104X	C CAPACITOR	0.1uF 16V K	
C4111	NCB31CK-104X	C CAPACITOR	0.1uF 16V K		C4378	NDC31HJ-9R0X	C CAPACITOR	9pF 50V J	
C4112	NBE41AM-476X	TA E CAPACITOR	47uF 10V M		C4379	NCB31CK-104X	C CAPACITOR	0.1uF 16V K	
C4201	NCB31AK-334X	C CAPACITOR	0.33uF 10V K		C4401	NBE41CM-226X	TA E CAPACITOR	22uF 16V M	
C4202	NCB31HK-102X	C CAPACITOR	1000pF 50V K		C4402	NCB31CK-104X	C CAPACITOR	0.1uF 16V K	
C4203	NCB31CK-473X	C CAPACITOR	0.047uF 16V K		C4403	NDC31HJ-101X	C CAPACITOR	100pF 50V J	
C4204	NDC31HJ-330X	C CAPACITOR	33pF 50V J		C4404	NCB31CK-104X	C CAPACITOR	0.1uF 16V K	
C4205	NDC31HJ-330X	C CAPACITOR	33pF 50V J		C4405	NDC31HJ-101X	C CAPACITOR	100pF 50V J	
C4206	NCB31CK-473X	C CAPACITOR	0.047uF 16V K		C4406	NCB31CK-104X	C CAPACITOR	0.1uF 16V K	
C4207	NCB31HK-102X	C CAPACITOR	1000pF 50V K		C4407	NCB31CK-104X	C CAPACITOR	0.1uF 16V K	
C4208	NCB31AK-334X	C CAPACITOR	0.33uF 10V K		C4408	NDC31HJ-330X	C CAPACITOR	33pF 50V J	
C4209	NCB31CK-104X	C CAPACITOR	0.1uF 16V K		C4409	NDC31HJ-101X	C CAPACITOR	100pF 50V J	
C4210	NCB31CK-104X	C CAPACITOR	0.1uF 16V K		C4410	NCB31CK-104X	C CAPACITOR	0.1uF 16V K	
C4211	NCB30JK-105X	C CAPACITOR	1uF 6.3V K		C4411	NCB31CK-104X	C CAPACITOR	0.1uF 16V K	
C4212	NCB31CK-104X	C CAPACITOR	0.1uF 16V K		C4412	NCB31CK-104X	C CAPACITOR	0.1uF 16V K	
C4213	NCB31CK-104X	C CAPACITOR	0.1uF 16V K		C4413	NDC31HJ-101X	C CAPACITOR	100pF 50V J	
C4214	NCB30JK-105X	C CAPACITOR	1uF 6.3V K		C4414	NCB31CK-104X	C CAPACITOR	0.1uF 16V K	
C4215	NDC31HJ-330X	C CAPACITOR	33pF 50V J		C4415	NCB31CK-224X	C CAPACITOR	0.22uF 16V K	
C4216	NCB31CK-473X	C CAPACITOR	0.047uF 16V K		C4416	NCB31CK-104X	C CAPACITOR	0.1uF 16V K	
C4217	NCB31HK-102X	C CAPACITOR	1000pF 50V K		C4417	NCB31CK-104X	C CAPACITOR	0.1uF 16V K	
C4218	NCB31AK-334X	C CAPACITOR	0.33uF 10V K		C4418	NCB31CK-104X	C CAPACITOR	0.1uF 16V K	
C4219	NCB31CK-104X	C CAPACITOR	0.1uF 16V K		C4419	NDC31HJ-101X	C CAPACITOR	100pF 50V J	
C4220	NCB30JK-105X	C CAPACITOR	1uF 6.3V K		C4420	NCB31CK-104X	C CAPACITOR	0.1uF 16V K	
C4221	NCB31CK-104X	C CAPACITOR	0.1uF 16V K		C4421	NDC31HJ-820X	C CAPACITOR	82pF 50V J	
C4222	NCB31CK-104X	C CAPACITOR	0.1uF 16V K		C4422	NCB31CK-104X	C CAPACITOR	0.1uF 16V K	
C4223	NCB30JK-105X	C CAPACITOR	1uF 6.3V K		C4423	NCB31CK-104X	C CAPACITOR	0.1uF 16V K	
C4224	NCB31CK-104X	C CAPACITOR	0.1uF 16V K		C4431	NCB31CK-104X	C CAPACITOR	0.1uF 16V K	
C4225	NDC31HG-471X	C CAPACITOR	470pF 50V G		C4435	NCB31CK-104X	C CAPACITOR	0.1uF 16V K	
C4226	NDC31HG-471X	C CAPACITOR	470pF 50V G		C4451	NCB31CK-104X	C CAPACITOR	0.1uF 16V K	
C4227	NDC31HG-471X	C CAPACITOR	470pF 50V G		C4452	NCB31CK-104X	C CAPACITOR	0.1uF 16V K	
C4228	NCB31CK-104X	C CAPACITOR	0.1uF 16V K		C4453	NCB31HK-561X	C CAPACITOR	560pF 50V K	
C4229	NCB31CK-104X	C CAPACITOR	0.1uF 16V K		C4454	NDC31HJ-101X	C CAPACITOR	100pF 50V J	
C4230	NCB30JK-105X	C CAPACITOR	1uF 6.3V K		C4455	NCB31CK-104X	C CAPACITOR	0.1uF 16V K	
C4231	NCB30JK-105X	C CAPACITOR	1uF 6.3V K		C4456	NCB31CK-104X	C CAPACITOR	0.1uF 16V K	
C4232	NCB31CK-104X	C CAPACITOR	0.1uF 16V K		C4457	NCB31CK-104X	C CAPACITOR	0.1uF 16V K	
C4233	NCB31CK-104X	C CAPACITOR	0.1uF 16V K		C4458	NDC31HJ-101X	C CAPACITOR	100pF 50V J	
C4234	NCB31AK-334X	C CAPACITOR	0.33uF 10V K		C4459	NCB31HK-102X	C CAPACITOR	1000pF 50V K	
C4235	NCB31CK-473X	C CAPACITOR	0.047uF 16V K		C4460	NCB31HK-221X	C CAPACITOR	220pF 50V K	
C4236	NCB31HK-102X	C CAPACITOR	1000pF 50V K		C4461	NCB31HK-222X	C CAPACITOR	2200pF 50V K	
C4237	NDC31HJ-330X	C CAPACITOR	33pF 50V J		C4462	NCB31CK-104X	C CAPACITOR	0.1uF 16V K	
C4238	NCB31CK-104X	C CAPACITOR	0.1uF 16V K		C4471	NDC31HJ-330X	C CAPACITOR	33pF 50V J	
C4239	NCB31CK-104X	C CAPACITOR	0.1uF 16V K		C4472	NDC31HJ-330X	C CAPACITOR	33pF 50V J	
C4240	NCB30JK-105X	C CAPACITOR	1uF 6.3V K		C4473	NCB31HK-102X	C CAPACITOR	1000pF 50V K	
C4241	NCB31CK-104X	C CAPACITOR	0.1uF 16V K		C4481	NCB31CK-104X	C CAPACITOR	0.1uF 16V K	
					C4482	NDC31HJ-221X	C CAPACITOR	220pF 50V J	

△ Symbol No.	Part No.	Part Name	Description	Local	△ Symbol No.	Part No.	Part Name	Description	Local
C4491	NCB31CK-104X	C CAPACITOR	0.1uF 16V K		C4852	NCB31CK-104X	C CAPACITOR	0.1uF 16V K	
C4492	NCB31CK-104X	C CAPACITOR	0.1uF 16V K		C4861	NCJ11EK-106X-A	C CAPACITOR		
C4493	NDC31HJ-470X	C CAPACITOR	47pF 50V J		C4862	NDC31HJ-101X	C CAPACITOR	100pF 50V J	
C4494	NDC31HJ-471X	C CAPACITOR	470pF 50V J		C4863	NDC31HJ-101X	C CAPACITOR	100pF 50V J	
C4501	NCB31CK-104X	C CAPACITOR	0.1uF 16V K		C4864	NCJ11EK-106X-A	C CAPACITOR		
C4502	NCB31CK-104X	C CAPACITOR	0.1uF 16V K		C4871	NCB21CK-105X	C CAPACITOR	1uF 16V K	
C4503	NBE41CM-226X	TA E CAPACITOR	22uF 16V M		C4872	NCB31CK-104X	C CAPACITOR	0.1uF 16V K	
C4504	NCJ11EK-106X-A	C CAPACITOR			C5001	NCB31CK-104X	C CAPACITOR	0.1uF 16V K	
C4505	NCJ11EK-106X-A	C CAPACITOR			C5002	NCB31AK-334X	C CAPACITOR	0.33uF 10V K	
C4506	NCB31CK-104X	C CAPACITOR	0.1uF 16V K		C5003	NCB31CK-104X	C CAPACITOR	0.1uF 16V K	
C4507	NCB31CK-104X	C CAPACITOR	0.1uF 16V K		C5004	NCB31CK-104X	C CAPACITOR	0.1uF 16V K	
C4508	NCJ11EK-106X-A	C CAPACITOR			C5301	NCB31CK-104X	C CAPACITOR	0.1uF 16V K	
C4509	NCB31CK-104X	C CAPACITOR	0.1uF 16V K		C5302	NCB31CK-104X	C CAPACITOR	0.1uF 16V K	
C4510	NCJ11EK-106X-A	C CAPACITOR			C5303	NCB31CK-104X	C CAPACITOR	0.1uF 16V K	
C4511	NCJ11EK-106X-A	C CAPACITOR			R4001	NRSA63J-471X	MG RESISTOR	470Ω 1/16W J	
C4601	NCJ11EK-106X-A	C CAPACITOR			R4002	NRSA63J-471X	MG RESISTOR	470Ω 1/16W J	
C4602	NCJ11EK-106X-A	C CAPACITOR			R4003	NRSA63J-221X	MG RESISTOR	220Ω 1/16W J	
C4603	NCJ11EK-106X-A	C CAPACITOR			R4004	NRSA63J-221X	MG RESISTOR	220Ω 1/16W J	
C4604	NCJ11EK-106X-A	C CAPACITOR			R4005	NRSA63J-471X	MG RESISTOR	470Ω 1/16W J	
C4701	NCB30JK-105X	C CAPACITOR	1uF 6.3V K		R4006	NRSA63J-103X	MG RESISTOR	10kΩ 1/16W J	
C4702	NCB31AK-474X	C CAPACITOR	0.47uF 10V K		R4008	NRSA63J-221X	MG RESISTOR	220Ω 1/16W J	
C4703	NCB31CK-103X	C CAPACITOR	0.01uF 16V K		R4009	NRSA63J-221X	MG RESISTOR	220Ω 1/16W J	
C4704	NCB31CK-104X	C CAPACITOR	0.1uF 16V K		R4011	NRSA63J-471X	MG RESISTOR	470Ω 1/16W J	
C4705	NDC31HJ-101X	C CAPACITOR	100pF 50V J		R4012	NRSA63J-471X	MG RESISTOR	470Ω 1/16W J	
C4706	NCB31CK-104X	C CAPACITOR	0.1uF 16V K		R4013	NRSA63J-471X	MG RESISTOR	470Ω 1/16W J	
C4707	NCB31HK-153X	C CAPACITOR	0.015uF 50V K		R4014	NRSA63J-103X	MG RESISTOR	10kΩ 1/16W J	
C4708	NCB31CK-104X	C CAPACITOR	0.1uF 16V K		R4016	NRSA63J-471X	MG RESISTOR	470Ω 1/16W J	
C4709	NCB31HK-221X	C CAPACITOR	220pF 50V K		R4017	NRSA63J-471X	MG RESISTOR	470Ω 1/16W J	
C4710	NCB31CK-473X	C CAPACITOR	0.047uF 16V K		R4018	NRSA63J-473X	MG RESISTOR	47kΩ 1/16W J	
C4711	NCB31CK-473X	C CAPACITOR	0.047uF 16V K		R4019	NRSA63J-0R0X	MG RESISTOR	0Ω 1/16W J	
C4713	NCB11CK-225X	C CAPACITOR	2.2uF 16V K		R4020	NRSA63J-103X	MG RESISTOR	10kΩ 1/16W J	
C4715	NCB31CK-104X	C CAPACITOR	0.1uF 16V K		R4021	NRSA63J-103X	MG RESISTOR	10kΩ 1/16W J	
C4716	NCZ1011-100X	C CAPACITOR	10pF		R4022	NRSA63J-103X	MG RESISTOR	10kΩ 1/16W J	
C4717	NCB31EK-153X	C CAPACITOR	0.015uF 25V K		R4023	NRSA63J-103X	MG RESISTOR	10kΩ 1/16W J	
C4718	NCB31HK-102X	C CAPACITOR	1000pF 50V K		R4026	NRSA63J-103X	MG RESISTOR	10kΩ 1/16W J	
C4721	NQR0450-001X	EMI FILTER	0.022uF 50V M		R4031	NRSA63J-103X	MG RESISTOR	10kΩ 1/16W J	
C4722	NCJ11EK-106X-A	C CAPACITOR			R4032	NRSA63J-471X	MG RESISTOR	470Ω 1/16W J	
C4723	NCJ11EK-106X-A	C CAPACITOR			R4033	NRSA63J-103X	MG RESISTOR	10kΩ 1/16W J	
C4724	NCJ11EK-106X-A	C CAPACITOR			R4051	NRSA63J-221X	MG RESISTOR	220Ω 1/16W J	
C4726	NCJ11EK-106X-A	C CAPACITOR			R4052	NRSA63J-221X	MG RESISTOR	220Ω 1/16W J	
C4727	NCJ11EK-106X-A	C CAPACITOR			R4101	NRSA63J-103X	MG RESISTOR	10kΩ 1/16W J	
C4731	NDC31HJ-101X	C CAPACITOR	100pF 50V J		R4102	NRSA63J-103X	MG RESISTOR	10kΩ 1/16W J	
C4732	NDC31HJ-101X	C CAPACITOR	100pF 50V J		R4103	NRSA63J-103X	MG RESISTOR	10kΩ 1/16W J	
C4733	NDC31HJ-101X	C CAPACITOR	100pF 50V J		R4104	NRSA63J-103X	MG RESISTOR	10kΩ 1/16W J	
C4734	NDC31HJ-101X	C CAPACITOR	100pF 50V J		R4105	NRSA63J-103X	MG RESISTOR	10kΩ 1/16W J	
C4735	NCJ11EK-106X-A	C CAPACITOR			R4106	NRSA63J-103X	MG RESISTOR	10kΩ 1/16W J	
C4736	NCJ11EK-106X-A	C CAPACITOR			R4107	NRSA63J-102X	MG RESISTOR	1kΩ 1/16W J	
C4801	NQR0450-001X	EMI FILTER	0.022uF 50V M		R4108	NRSA63J-471X	MG RESISTOR	470Ω 1/16W J	
C4802	NCJ11EK-106X-A	C CAPACITOR			R4109	NRSA63J-471X	MG RESISTOR	470Ω 1/16W J	
C4803	NCJ11EK-106X-A	C CAPACITOR			R4110	NRSA63J-471X	MG RESISTOR	470Ω 1/16W J	
C4804	NCJ11EK-106X-A	C CAPACITOR			R4111	NRSA63J-471X	MG RESISTOR	470Ω 1/16W J	
C4805	NCJ11EK-106X-A	C CAPACITOR			R4112	NRSA63J-103X	MG RESISTOR	10kΩ 1/16W J	
C4806	NCJ11EK-106X-A	C CAPACITOR			R4113	NRSA63J-471X	MG RESISTOR	470Ω 1/16W J	
C4807	NCB31CK-104X	C CAPACITOR	0.1uF 16V K		R4114	NRSA63J-103X	MG RESISTOR	10kΩ 1/16W J	
C4809	NCB31HK-332X	C CAPACITOR	3300pF 50V K		R4201	NRSA63D-102X	MG RESISTOR	1kΩ 1/16W D	
C4810	NBE61CM-107X	TA E CAPACITOR	100uF 16V M		R4202	NRSA63J-334X	MG RESISTOR	330kΩ 1/16W J	
C4811	NCB31CK-104X	C CAPACITOR	0.1uF 16V K		R4203	NRSA63D-332X	MG RESISTOR	3.3kΩ 1/16W D	
C4813	NBE61CM-107X	TA E CAPACITOR	100uF 16V M		R4204	NRSA63D-392X	MG RESISTOR	3.9kΩ 1/16W D	
C4814	NBE51CM-476X	TA E CAPACITOR	47uF 16V M		R4205	NRSA63D-392X	MG RESISTOR	3.9kΩ 1/16W D	
C4816	NBE41AM-476X	TA E CAPACITOR	47uF 10V M		R4206	NRSA63D-332X	MG RESISTOR	3.3kΩ 1/16W D	
C4821	NDC31HJ-101X	C CAPACITOR	100pF 50V J		R4207	NRSA63J-334X	MG RESISTOR	330kΩ 1/16W J	
C4822	NCB20JM-475X	C CAPACITOR	4.7uF 6.3V M		R4208	NRSA63D-102X	MG RESISTOR	1kΩ 1/16W D	
C4823	NCB30JK-105X	C CAPACITOR	1uF 6.3V K		R4211	NRSA63D-103X	MG RESISTOR	10kΩ 1/16W D	
C4824	NDC31HJ-101X	C CAPACITOR	100pF 50V J		R4212	NRSA63D-204X	MG RESISTOR	200kΩ 1/16W D	
C4825	NCB30JK-105X	C CAPACITOR	1uF 6.3V K		R4213	NRSA63J-0R0X	MG RESISTOR	0Ω 1/16W J	
C4832	NCB11AK-475X	C CAPACITOR	4.7uF 10V K		R4214	NRSA63D-392X	MG RESISTOR	3.9kΩ 1/16W D	
C4833	NCB11CK-225X	C CAPACITOR	2.2uF 16V K		R4215	NRSA63D-332X	MG RESISTOR	3.3kΩ 1/16W D	
C4835	NCB11EK-105X	C CAPACITOR	1uF 25V K		R4216	NRSA63J-334X	MG RESISTOR	330kΩ 1/16W J	
C4836	NCB11EK-105X	C CAPACITOR	1uF 25V K		R4217	NRSA63D-102X	MG RESISTOR	1kΩ 1/16W D	
C4837	NCB31HK-222X	C CAPACITOR	2200pF 50V K		R4218	NRSA63D-204X	MG RESISTOR	200kΩ 1/16W D	
C4838	NCB21CK-105X	C CAPACITOR	1uF 16V K		R4219	NRSA63J-0R0X	MG RESISTOR	0Ω 1/16W J	
C4839	NCB21CK-105X	C CAPACITOR	1uF 16V K		R4220	NRSA63D-103X	MG RESISTOR	10kΩ 1/16W D	
C4840	NCB11EK-105X	C CAPACITOR	1uF 25V K		R4223	NRSA63J-101X	MG RESISTOR	100Ω 1/16W J	
C4841	NCJ11EK-106X-A	C CAPACITOR			R4224	NRSA63D-752X	MG RESISTOR	7.5kΩ 1/16W D	
C4842	NCJ11EK-106X-A	C CAPACITOR			R4225	NRSA63D-752X	MG RESISTOR	7.5kΩ 1/16W D	
C4843	NCB30JK-105X	C CAPACITOR	1uF 6.3V K		R4226	NRSA63D-473X	MG RESISTOR	47kΩ 1/16W D	
C4844	NCB30JK-105X	C CAPACITOR	1uF 6.3V K		R4227	NRSA63D-752X	MG RESISTOR	7.5kΩ 1/16W D	
C4851	NCB31CK-104X	C CAPACITOR	0.1uF 16V K						

△ Symbol No.	Part No.	Part Name	Description	Local	△ Symbol No.	Part No.	Part Name	Description	Local
R4228	NRSA63D-752X	MG RESISTOR	7.5kΩ 1/16W D		R4457	NRSA63J-683X	MG RESISTOR	68kΩ 1/16W J	
R4229	NRSA63D-473X	MG RESISTOR	47kΩ 1/16W D		R4458	NRSA63J-101X	MG RESISTOR	100Ω 1/16W J	
R4230	NRSA63D-752X	MG RESISTOR	7.5kΩ 1/16W D		R4459	NRSA63J-272X	MG RESISTOR	2.7kΩ 1/16W J	
R4231	NRSA63J-511X	MG RESISTOR	510Ω 1/16W J		R4460	NRSA63J-332X	MG RESISTOR	3.3kΩ 1/16W J	
R4232	NRSA63D-183X	MG RESISTOR	18kΩ 1/16W D		R4461	NRSA63J-331X	MG RESISTOR	330Ω 1/16W J	
R4233	NRSA63D-183X	MG RESISTOR	18kΩ 1/16W D		R4462	NRSA63J-103X	MG RESISTOR	10kΩ 1/16W J	
R4234	NRSA63D-304X	MG RESISTOR	300kΩ 1/16W D		R4463	NRSA63J-182X	MG RESISTOR	1.8kΩ 1/16W J	
R4235	NRSA63D-104X	MG RESISTOR	100kΩ 1/16W D		R4464	NRSA63J-822X	MG RESISTOR	8.2kΩ 1/16W J	
R4236	NRSA63D-104X	MG RESISTOR	100kΩ 1/16W D		R4465	NRSA63J-332X	MG RESISTOR	3.3kΩ 1/16W J	
R4237	NRSA63D-203X	MG RESISTOR	20kΩ 1/16W D		R4467	NRSA63J-105X	MG RESISTOR	1MΩ 1/16W J	
R4238	NRSA63D-753X	MG RESISTOR	75kΩ 1/16W D		R4471	NRSA63J-564X	MG RESISTOR	560kΩ 1/16W J	
R4239	NRSA63D-153X	MG RESISTOR	15kΩ 1/16W D		R4472	NRSA63J-391X	MG RESISTOR	390Ω 1/16W J	
R4242	NRSA63D-103X	MG RESISTOR	10kΩ 1/16W D		R4473	NRSA63J-564X	MG RESISTOR	560kΩ 1/16W J	
R4243	NRSA63J-0R0X	MG RESISTOR	0Ω 1/16W J		R4481	NRSA63J-470X	MG RESISTOR	47Ω 1/16W J	
R4244	NRSA63D-204X	MG RESISTOR	200kΩ 1/16W D		R4482	NRSA63J-181X	MG RESISTOR	180Ω 1/16W J	
R4245	NRSA63D-102X	MG RESISTOR	1kΩ 1/16W D		R4491	NRSA63J-681X	MG RESISTOR	680Ω 1/16W J	
R4246	NRSA63J-334X	MG RESISTOR	330kΩ 1/16W J		R4492	NRSA63J-102X	MG RESISTOR	1kΩ 1/16W J	
R4247	NRSA63D-332X	MG RESISTOR	3.3kΩ 1/16W D		R4493	NRSA63J-102X	MG RESISTOR	1kΩ 1/16W J	
R4248	NRSA63D-392X	MG RESISTOR	3.9kΩ 1/16W D		R4501	NRSA63J-333X	MG RESISTOR	33kΩ 1/16W J	
R4249	NRSA63J-0R0X	MG RESISTOR	0Ω 1/16W J		R4502	NRSA63J-223X	MG RESISTOR	22kΩ 1/16W J	
R4250	NRSA63D-204X	MG RESISTOR	200kΩ 1/16W D		R4503	NRSA63J-103X	MG RESISTOR	10kΩ 1/16W J	
R4251	NRSA63D-103X	MG RESISTOR	10kΩ 1/16W D		R4504	NRSA63J-473X	MG RESISTOR	47kΩ 1/16W J	
R4254	NRSA63D-203X	MG RESISTOR	20kΩ 1/16W D		R4505	NRSA63J-223X	MG RESISTOR	22kΩ 1/16W J	
R4255	NRSA63D-203X	MG RESISTOR	20kΩ 1/16W D		R4616	NRSA63J-221X	MG RESISTOR	220Ω 1/16W J	
R4256	NRSA63D-203X	MG RESISTOR	20kΩ 1/16W D		R4701	NRSA63J-244X	MG RESISTOR	240kΩ 1/16W J	
R4257	NRSA63D-203X	MG RESISTOR	20kΩ 1/16W D		R4702	NRSA63J-333X	MG RESISTOR	33kΩ 1/16W J	
R4261	NRSA63J-100X	MG RESISTOR	10Ω 1/16W J		R4703	NRSA63J-563X	MG RESISTOR	56kΩ 1/16W J	
R4262	NRSA63J-100X	MG RESISTOR	10Ω 1/16W J		R4704	NRSA63J-512X	MG RESISTOR	5.1kΩ 1/16W J	
R4263	NRSA63J-100X	MG RESISTOR	10Ω 1/16W J		R4705	NRSA63J-512X	MG RESISTOR	5.1kΩ 1/16W J	
R4264	NRSA63J-100X	MG RESISTOR	10Ω 1/16W J		R4706	NRSA63J-105X	MG RESISTOR	1MΩ 1/16W J	
R4265	NRSA63J-123X	MG RESISTOR	12kΩ 1/16W J		R4707	NRSA63J-513X	MG RESISTOR	51kΩ 1/16W J	
R4266	NRSA63J-123X	MG RESISTOR	12kΩ 1/16W J		R4708	NRSA63J-471X	MG RESISTOR	470Ω 1/16W J	
R4267	NRSA63J-123X	MG RESISTOR	12kΩ 1/16W J		R4711	NRSA63J-470X	MG RESISTOR	47Ω 1/16W J	
R4268	NRSA63J-123X	MG RESISTOR	12kΩ 1/16W J		R4712	NRSA63J-470X	MG RESISTOR	47Ω 1/16W J	
R4271	NRSA63J-102X	MG RESISTOR	1kΩ 1/16W J		R4713	NRSA63J-470X	MG RESISTOR	47Ω 1/16W J	
R4301	NRSA63J-153X	MG RESISTOR	15kΩ 1/16W J		R4714	NRSA63J-470X	MG RESISTOR	47Ω 1/16W J	
R4302	NRSA63J-105X	MG RESISTOR	1MΩ 1/16W J		R4801	NRSA63J-512X	MG RESISTOR	5.1kΩ 1/16W J	
R4303	NRSA63J-561X	MG RESISTOR	560Ω 1/16W J		R4802	NRSA63J-472X	MG RESISTOR	4.7kΩ 1/16W J	
R4304	NRSA63J-200X	MG RESISTOR	20Ω 1/16W J		R4803	NRSA63J-103X	MG RESISTOR	10kΩ 1/16W J	
R4305	NRSA63J-560X	MG RESISTOR	56Ω 1/16W J		R4821	NRSA63J-562X	MG RESISTOR	5.6kΩ 1/16W J	
R4306	NRSA63J-683X	MG RESISTOR	68kΩ 1/16W J		R4822	NRSA63J-432X	MG RESISTOR	4.3kΩ 1/16W J	
R4307	NRSA63J-105X	MG RESISTOR	1MΩ 1/16W J		R4831	NRSA63J-473X	MG RESISTOR	47kΩ 1/16W J	
R4308	NRSA63J-750X	MG RESISTOR	75Ω 1/16W J		R4832	NRSA63J-473X	MG RESISTOR	47kΩ 1/16W J	
R4310	NRSA63J-750X	MG RESISTOR	75Ω 1/16W J		R4833	NRSA63J-103X	MG RESISTOR	10kΩ 1/16W J	
R4312	NRSA63J-750X	MG RESISTOR	75Ω 1/16W J		R4834	NRSA63J-154X	MG RESISTOR	150kΩ 1/16W J	
R4314	NRSA63J-562X	MG RESISTOR	5.6kΩ 1/16W J		R4835	NRSA63J-123X	MG RESISTOR	12kΩ 1/16W J	
R4315	NRSA63J-822X	MG RESISTOR	8.2kΩ 1/16W J		R4836	NRSA02J-102X	MG RESISTOR	1kΩ 1/10W J	
R4316	NRSA63J-0R0X	MG RESISTOR	0Ω 1/16W J		R4837	NRSA02J-102X	MG RESISTOR	1kΩ 1/10W J	
R4317	NRSA63J-101X	MG RESISTOR	100Ω 1/16W J		R4851	NRSA63J-102X	MG RESISTOR	1kΩ 1/16W J	
R4318	NRSA63J-101X	MG RESISTOR	100Ω 1/16W J		R4852	NRSA63J-473X	MG RESISTOR	47kΩ 1/16W J	
R4319	NRSA63J-101X	MG RESISTOR	100Ω 1/16W J		R4853	NRSA63J-222X	MG RESISTOR	2.2kΩ 1/16W J	
R4322	NRSA63J-103X	MG RESISTOR	10kΩ 1/16W J		R5001	NRSA63J-185X	MG RESISTOR	1.8MΩ 1/16W J	
R4323	NRSA63J-153X	MG RESISTOR	15kΩ 1/16W J		R5002	NRSA63J-101X	MG RESISTOR	100Ω 1/16W J	
R4324	NRSA63J-153X	MG RESISTOR	15kΩ 1/16W J		R5003	NRSA63J-473X	MG RESISTOR	47kΩ 1/16W J	
R4325	NRSA63J-100X	MG RESISTOR	10Ω 1/16W J		R5004	NRSA63J-101X	MG RESISTOR	100Ω 1/16W J	
R4326	NRSA63J-100X	MG RESISTOR	10Ω 1/16W J		R5101	NRSA02J-182X	MG RESISTOR	1.8kΩ 1/10W J	
R4372	NRSA63J-621X	MG RESISTOR	620Ω 1/16W J		R5102	NRSA02J-182X	MG RESISTOR	1.8kΩ 1/10W J	
R4374	NRSA63J-0R0X	MG RESISTOR	0Ω 1/16W J		R5103	NRSA02J-182X	MG RESISTOR	1.8kΩ 1/10W J	
R4376	NRSA63J-0R0X	MG RESISTOR	0Ω 1/16W J		R5104	NRSA02J-182X	MG RESISTOR	1.8kΩ 1/10W J	
R4401	NRSA63J-102X	MG RESISTOR	1kΩ 1/16W J		R5105	NRSA02J-182X	MG RESISTOR	1.8kΩ 1/10W J	
R4403	NRSA63J-101X	MG RESISTOR	100Ω 1/16W J		R5106	NRSA02J-182X	MG RESISTOR	1.8kΩ 1/10W J	
R4407	NRSA63J-101X	MG RESISTOR	100Ω 1/16W J		R5107	NRSA63J-473X	MG RESISTOR	47kΩ 1/16W J	
R4408	NRSA63J-101X	MG RESISTOR	100Ω 1/16W J		R5108	NRSA63J-222X	MG RESISTOR	2.2kΩ 1/16W J	
R4409	NRSA63J-101X	MG RESISTOR	100Ω 1/16W J		R5201	NRSA63J-223X	MG RESISTOR	22kΩ 1/16W J	
R4411	NRSA63J-224X	MG RESISTOR	220kΩ 1/16W J		R5202	NRSA63J-473X	MG RESISTOR	47kΩ 1/16W J	
R4412	NRSA63J-101X	MG RESISTOR	100Ω 1/16W J		R5203	NRSA63J-222X	MG RESISTOR	2.2kΩ 1/16W J	
R4413	NRSA63J-101X	MG RESISTOR	100Ω 1/16W J		R5204	NRSA63J-472X	MG RESISTOR	4.7kΩ 1/16W J	
R4431	NRSA63J-221X	MG RESISTOR	220Ω 1/16W J		R5205	NRSA63J-103X	MG RESISTOR	10kΩ 1/16W J	
R4432	NRSA63J-0R0X	MG RESISTOR	0Ω 1/16W J		VR423	NVP0021-222X	TRIM RESISTOR	2.2kΩ	
R4435	NRSA63J-0R0X	MG RESISTOR	0Ω 1/16W J		VR425	NVP0021-222X	TRIM RESISTOR	2.2kΩ	
R4436	NRSA63J-0R0X	MG RESISTOR	0Ω 1/16W J		VR426	NVP0021-222X	TRIM RESISTOR	2.2kΩ	
R4437	NRSA63J-222X	MG RESISTOR	2.2kΩ 1/16W J		VR428	NVP0021-222X	TRIM RESISTOR	2.2kΩ	
R4451	NRSA63J-683X	MG RESISTOR	68kΩ 1/16W J		VR441	NVP0021-104X	TRIM RESISTOR	100kΩ	
R4452	NRSA63J-105X	MG RESISTOR	1MΩ 1/16W J		VR451	NVP0021-222X	TRIM RESISTOR	2.2kΩ	
R4453	NRSA63J-362X	MG RESISTOR	3.6kΩ 1/16W J						
R4454	NRSA63J-243X	MG RESISTOR	24kΩ 1/16W J		L4001	NQL382M-220X	COIL	22uH M	
R4455	NRSA63J-473X	MG RESISTOR	47kΩ 1/16W J		L4051	NQL382M-470X	COIL	47uH M	
R4456	NRSA63J-472X	MG RESISTOR	4.7kΩ 1/16W J		L4101	NQL382M-470X	COIL	47uH M	

△ Symbol No.	Part No.	Part Name	Description	Local	△ Symbol No.	Part No.	Part Name	Description	Local
L4201	NQL382M-470X	COIL	47uH M		IC721	M62449FP-X	IC		
L4202	NQL382M-470X	COIL	47uH M		IC731	M62449FP-X	IC		
L4301	NQL085J-100X	COIL	10uH J		IC751	TB2901HQ	IC		
L4302	NQL382M-470X	COIL	47uH M		IC754	TDA7396	IC		
L4303	NQL382M-220X	COIL	22uH M		IC801	NJM2293M-W	IC		
L4372	NQL085J-560X	COIL	56uH J		IC802	MM1510XN-X	IC		
L4401	NQL382M-470X	COIL	47uH M		IC805	NJM2293M-W	IC		
L4451	NQL085J-3R3X	COIL	3.3uH J		IC806	MM1510XN-X	IC		
L4471	NQL085J-150X	COIL	15uH J		IC811	LC75344M-X	IC		
L4501	NQL382M-470X	COIL	47uH M		IC813	NJM4565V-X	IC		
L4502	NQL382M-101X	COIL	100uH M		IC815	LC75344M-X	IC		
L4503	NQL382M-101X	COIL	100uH M		IC850	UPD784217AGC332	IC(MCU)		
L4802	NQL32CM-100X	COIL	10uH M		IC870	BD4833FVE-W	IC		
L4803	NQL32CM-100X	COIL	10uH M		IC871	SN74AHCT08NS-X	IC		
L4805	NQL085J-220X	COIL	22uH J		IC873	BR24L16F-W-X	IC		
L4832	NQL32CM-4R7X	COIL	4.7uH M		IC875	SN74AHCT126PW-X	IC(DIGITAL)		
L4833	NQL32CM-4R7X	COIL	4.7uH M						
T4701	NQR0511-002	C FL TRANSFER			Q6001	UN2211-X	TRANSISTOR		
CN401	QGA1002F1-07X	CONNECTOR	W-B (1-7)		Q6002	2SA2049/QR/-W	TRANSISTOR		
CN402	QGF0501F1-08X	CONNECTOR	FFC/FPC (1-8)		Q6005	UN2111-X	TRANSISTOR		
CN421	QGF1039F1-04X	CONNECTOR	FFC/FPC (1-4)		Q6021	2SD1994A/RS/-T	TRANSISTOR		
CN451	QGF0501F4-32X	CONNECTOR	FFC/FPC (1-32)		Q6022	2SB1197K/QR/-X	TRANSISTOR		
CN461	NNZ0111-001X	CAR CONNECTOR			Q6023	2SB1197K/QR/-X	TRANSISTOR		
CN471	QGA3501F1-02X	CONNECTOR	W-B (1-2)		Q6025	2SB1241/QR/-T	TRANSISTOR		
CM531	QGF0501F1-08X	CONNECTOR	FFC/FPC (1-8)		Q6026	2SD601A/QR/-X	TRANSISTOR		
F4701	NMFZ018-2R5X-E	FUSE	2.5A		Q6027	2SD601A/QR/-X	TRANSISTOR		
K4001	NQR0251-004X	FERRITE BEADS			Q6051	UN2211-X	TRANSISTOR		
K4002	NQR0251-004X	FERRITE BEADS			Q6053	UN2211-X	TRANSISTOR		
K4003	NQR0251-004X	FERRITE BEADS			Q6071	2SD1994A/RS/-T	TRANSISTOR		
K4031	NQR0251-004X	FERRITE BEADS			Q6072	UN2111-X	TRANSISTOR		
K4271	NQR0251-004X	FERRITE BEADS			Q6073	UN2211-X	TRANSISTOR		
K4401	NQR0251-004X	FERRITE BEADS			Q6091	UN2211-X	TRANSISTOR		
K4451	NQR0251-004X	FERRITE BEADS			Q6092	UN2213-X	DIGI TRANSISTOR		
K4482	NQR0022-005X	FERRITE BEADS			Q6521	2SB1197K/QR/-X	TRANSISTOR		
LC431	NQR0566-001X	FERRITE BEADS			Q6522	UN2211-X	TRANSISTOR		
LC432	NQR0566-001X	FERRITE BEADS			Q6523	2SB1197K/QR/-X	TRANSISTOR		
LC433	NQR0566-001X	FERRITE BEADS			Q7411	2SD601A/R/-X	TRANSISTOR		
LC434	NQR0566-001X	FERRITE BEADS			Q7412	2SD601A/R/-X	TRANSISTOR		
LC469	NQR0566-001X	FERRITE BEADS			Q7511	UN2211-X	TRANSISTOR		
S5201	NSW0228-001X	TACT SWITCH			Q7512	UN2211-X	TRANSISTOR		
S5202	NSW0228-001X	TACT SWITCH			Q7513	UN2211-X	TRANSISTOR		
S5203	NSW0228-001X	TACT SWITCH			Q7521	UN2211-X	TRANSISTOR		
S5204	NSW0228-001X	TACT SWITCH			Q7522	UN2211-X	TRANSISTOR		
S5205	NSW0228-001X	TACT SWITCH			Q7611	2SD1781K/QR/-X	TRANSISTOR		
S5206	NSW0228-001X	TACT SWITCH			Q7612	2SD1781K/QR/-X	TRANSISTOR		
TP425	NNZ0009-001X	TEST POINT			Q7631	2SD1781K/QR/-X	TRANSISTOR		
TP426	NNZ0009-001X	TEST POINT			Q7632	2SD1781K/QR/-X	TRANSISTOR		
TP427	NNZ0009-001X	TEST POINT			Q7651	2SD1781K/QR/-X	TRANSISTOR		
TP428	NNZ0009-001X	TEST POINT			Q7652	2SD1781K/QR/-X	TRANSISTOR		
TP431	NNZ0009-001X	TEST POINT			Q7671	UN2111-X	TRANSISTOR		
TP433	NNZ0009-001X	TEST POINT			Q7672	UN2111-X	TRANSISTOR		
TP434	NNZ0009-001X	TEST POINT			Q7673	UN2111-X	TRANSISTOR		
TP435	NNZ0009-001X	TEST POINT			Q7674	UN2111-X	TRANSISTOR		
TP442	NNZ0009-001X	TEST POINT			Q7675	UN2111-X	TRANSISTOR		
X4001	NAX0729-001X	CRYSTAL			Q7681	2SB1197K/QR/-X	TRANSISTOR		
X4101	NAX0522-001X	C RESONATOR	6.000MHz		Q7682	UN2111-X	TRANSISTOR		
X4372	NAX0727-001X	CRYSTAL			Q7683	UN2211-X	TRANSISTOR		
					Q7691	UN2113-X	DIGI TRANSISTOR		
					Q7692	UN2211-X	TRANSISTOR		
					Q8131	2SD1781K/QR/-X	TRANSISTOR		
					Q8132	2SD1781K/QR/-X	TRANSISTOR		
					Q8181	2SD1781K/QR/-X	TRANSISTOR		
					Q8182	2SD1781K/QR/-X	TRANSISTOR		
					Q8701	UN2111-X	TRANSISTOR		
					Q8702	UN2211-X	TRANSISTOR		

Hideaway board

Block No. [0][4]

△ Symbol No.	Part No.	Part Name	Description	Local	△ Symbol No.	Part No.	Part Name	Description	Local
△ IC601	HA13164A	IC			D6001	MA114-X	DIODE		
IC602	M62212FP-X	IC			D6003	RB160M-30-X	SB DIODE		
IC603	NJM4565V-X	IC			D6004	MA8047/M/-X	Z DIODE		
IC621	NJM4565V-X	IC			D6052	MA8062/M/-X	Z DIODE		
IC622	NJM4565V-X	IC			D6053	MA1111-X	SI DIODE		
IC624	NJM4565V-X	IC			D6071	MA8120/M/-X	Z DIODE		
IC626	NJM4565V-X	IC			D6081	RB160M-30-X	SB DIODE		
IC630	BD3842FS-X	IC			D6082	RB160M-30-X	SB DIODE		
IC701	TC9499N	IC			D6083	RB160M-30-X	SB DIODE		
IC711	M62449FP-X	IC			D6084	RB160M-30-X	SB DIODE		
					D6091	MA8075/M/-X	Z DIODE		
					D6092	MA8180/M/-X	Z DIODE		

△ Symbol No.	Part No.	Part Name	Description	Local	△ Symbol No.	Part No.	Part Name	Description	Local
D6093	1N5401-F64	DIODE			C6123	QERF1EM-475Z	E CAPACITOR	4.7uF 25V M	
D6502	1SS355-X	SI DIODE			C6124	QERF1HM-225Z	E CAPACITOR	2.2uF 50V M	
D6503	1SS355-X	SI DIODE			C6127	QERF1CM-106Z	E CAPACITOR	10uF 16V M	
D6521	MA152WK-X	SI DIODE			C6133	QERF1AM-107Z	E CAPACITOR	100uF 10V M	
D7411	MA111-X	SI DIODE			C6134	QERF1AM-107Z	E CAPACITOR	100uF 10V M	
D7412	MA111-X	SI DIODE			C6135	QERF1CM-106Z	E CAPACITOR	10uF 16V M	
D7413	MA111-X	SI DIODE			C6151	QERF1CM-106Z	E CAPACITOR	10uF 16V M	
D7414	MA111-X	SI DIODE			C6171	QERF1CM-106Z	E CAPACITOR	10uF 16V M	
D7511	RB160M-30-X	SB DIODE			C6172	QERF1CM-106Z	E CAPACITOR	10uF 16V M	
D7512	RB160M-30-X	SB DIODE			C6191	QEZ0698-338	E CAPACITOR	3300uF	
D7513	RB160M-30-X	SB DIODE			C6211	NCS31HJ-220X	C CAPACITOR	22pF 50V J	
D7514	RB160M-30-X	SB DIODE			C6212	NCS31HJ-220X	C CAPACITOR	22pF 50V J	
D7515	RB160M-30-X	SB DIODE			C6215	NCB31CK-104X	C CAPACITOR	0.1uF 16V K	
D7516	RB160M-30-X	SB DIODE			C6221	NCS31HJ-470X	C CAPACITOR	47pF 50V J	
D7517	RB160M-30-X	SB DIODE			C6222	NCS31HJ-470X	C CAPACITOR	47pF 50V J	
D7518	RB160M-30-X	SB DIODE			C6223	NCS31HJ-470X	C CAPACITOR	47pF 50V J	
D7522	MA111-X	SI DIODE			C6224	NCS31HJ-470X	C CAPACITOR	47pF 50V J	
D7523	MA111-X	SI DIODE			C6225	NCB31CK-104X	C CAPACITOR	0.1uF 16V K	
D7524	MA111-X	SI DIODE			C6241	NCS31HJ-470X	C CAPACITOR	47pF 50V J	
D7525	MA111-X	SI DIODE			C6242	NCS31HJ-470X	C CAPACITOR	47pF 50V J	
D7531	RB160M-30-X	SB DIODE			C6243	NCS31HJ-470X	C CAPACITOR	47pF 50V J	
D7532	RB160M-30-X	SB DIODE			C6244	NCS31HJ-470X	C CAPACITOR	47pF 50V J	
D7533	RB160M-30-X	SB DIODE			C6245	NCB31CK-104X	C CAPACITOR	0.1uF 16V K	
D7534	RB160M-30-X	SB DIODE			C6261	NCS31HJ-470X	C CAPACITOR	47pF 50V J	
D7631	MA152WA-X	DIODE			C6262	NCS31HJ-470X	C CAPACITOR	47pF 50V J	
D7651	MA152WA-X	DIODE			C6263	NCS31HJ-470X	C CAPACITOR	47pF 50V J	
D7671	MA111-X	SI DIODE			C6264	NCS31HJ-470X	C CAPACITOR	47pF 50V J	
D7672	MA111-X	SI DIODE			C6265	NCB31CK-104X	C CAPACITOR	0.1uF 16V K	
D7673	MA152WA-X	DIODE			C6301	NCB31CK-104X	C CAPACITOR	0.1uF 16V K	
D7674	MA152WA-X	DIODE			C6302	NCB31CK-104X	C CAPACITOR	0.1uF 16V K	
D7675	MA152WA-X	DIODE			C6331	NCS31HJ-101X	C CAPACITOR	100pF 50V J	
D7691	MA8110/M/-X	Z DIODE			C6332	NCS31HJ-101X	C CAPACITOR	100pF 50V J	
D8131	MA152WA-X	DIODE			C6333	NCS31HJ-101X	C CAPACITOR	100pF 50V J	
D8181	MA152WA-X	DIODE			C6341	NCS31HJ-101X	C CAPACITOR	100pF 50V J	
D8701	MA111-X	SI DIODE			C6342	NCS31HJ-101X	C CAPACITOR	100pF 50V J	
D8933	RB160M-30-X	SB DIODE			C6343	NCS31HJ-101X	C CAPACITOR	100pF 50V J	
					C6351	QERF1AM-107Z	E CAPACITOR	100uF 10V M	
C6001	NCB31CK-104X	C CAPACITOR	0.1uF 16V K		C6352	QERF1AM-107Z	E CAPACITOR	100uF 10V M	
C6002	NCB31HK-103X	C CAPACITOR	0.01uF 50V K		C6411	QERF1EM-475Z	E CAPACITOR	4.7uF 25V M	
C6003	NCB31HK-821X	C CAPACITOR	820pF 50V K		C6412	QERF1EM-475Z	E CAPACITOR	4.7uF 25V M	
C6004	NDC31HJ-200X	C CAPACITOR	20pF 50V J		C6421	QERF1EM-475Z	E CAPACITOR	4.7uF 25V M	
C6005	NDC31HJ-7R0X	C CAPACITOR	7pF 50V J		C6422	QERF1EM-475Z	E CAPACITOR	4.7uF 25V M	
C6011	NCB31HK-103X	C CAPACITOR	0.01uF 50V K		C6423	QERF1EM-475Z	E CAPACITOR	4.7uF 25V M	
C6012	NCB31HK-103X	C CAPACITOR	0.01uF 50V K		C6424	QERF1EM-475Z	E CAPACITOR	4.7uF 25V M	
C6013	NCB31HK-103X	C CAPACITOR	0.01uF 50V K		C6441	QERF1EM-475Z	E CAPACITOR	4.7uF 25V M	
C6014	NCB31HK-103X	C CAPACITOR	0.01uF 50V K		C6442	QERF1EM-475Z	E CAPACITOR	4.7uF 25V M	
C6015	NCB31HK-103X	C CAPACITOR	0.01uF 50V K		C6443	QERF1EM-475Z	E CAPACITOR	4.7uF 25V M	
C6016	NCB31HK-103X	C CAPACITOR	0.01uF 50V K		C6444	QERF1EM-475Z	E CAPACITOR	4.7uF 25V M	
C6017	NCB31HK-103X	C CAPACITOR	0.01uF 50V K		C6461	QERF1EM-475Z	E CAPACITOR	4.7uF 25V M	
C6018	NCB31HK-103X	C CAPACITOR	0.01uF 50V K		C6462	QERF1EM-475Z	E CAPACITOR	4.7uF 25V M	
C6021	NCB31HK-103X	C CAPACITOR	0.01uF 50V K		C6463	QERF1EM-475Z	E CAPACITOR	4.7uF 25V M	
C6022	NCS31HJ-220X	C CAPACITOR	22pF 50V J		C6464	QERF1EM-475Z	E CAPACITOR	4.7uF 25V M	
C6023	NCS31HJ-100X	C CAPACITOR	10pF 50V J		C6481	QERF1EM-475Z	E CAPACITOR	4.7uF 25V M	
C6027	NCB31HK-103X	C CAPACITOR	0.01uF 50V K		C6482	QERF1EM-475Z	E CAPACITOR	4.7uF 25V M	
C6033	NCB31HK-103X	C CAPACITOR	0.01uF 50V K		C6491	QERF1EM-475Z	E CAPACITOR	4.7uF 25V M	
C6034	NCB31HK-103X	C CAPACITOR	0.01uF 50V K		C6492	QERF1EM-475Z	E CAPACITOR	4.7uF 25V M	
C6035	NCB31CK-104X	C CAPACITOR	0.1uF 16V K		C6501	NCB31HK-223X	C CAPACITOR	0.022uF 50V K	
C6041	NCB31CK-104X	C CAPACITOR	0.1uF 16V K		C6502	NCB31HK-223X	C CAPACITOR	0.022uF 50V K	
C6052	NCB31HK-103X	C CAPACITOR	0.01uF 50V K		C6503	NCB31HK-471X	C CAPACITOR	470pF 50V K	
C6055	NCB31HK-103X	C CAPACITOR	0.01uF 50V K		C6504	NCB31HK-471X	C CAPACITOR	470pF 50V K	
C6071	NCB31HK-103X	C CAPACITOR	0.01uF 50V K		C6505	NCS31HJ-101X	C CAPACITOR	100pF 50V J	
C6081	NCB31CK-104X	C CAPACITOR	0.1uF 16V K		C6506	NCS31HJ-101X	C CAPACITOR	100pF 50V J	
C6083	NCB31CK-104X	C CAPACITOR	0.1uF 16V K		C6507	NCS31HJ-101X	C CAPACITOR	100pF 50V J	
C6101	QERF1CM-106Z	E CAPACITOR	10uF 16V M		C6508	NCS31HJ-101X	C CAPACITOR	100pF 50V J	
C6102	QETN1AM-477Z	E CAPACITOR	470uF 10V M		C6509	NCS31HJ-101X	C CAPACITOR	100pF 50V J	
C6103	QERF1AM-107Z	E CAPACITOR	100uF 10V M		C6566	NCB31HK-103X	C CAPACITOR	0.01uF 50V K	
C6105	NCB31CK-104X	C CAPACITOR	0.1uF 16V K		C6571	NCB31CK-473X	C CAPACITOR	0.047uF 16V K	
C6111	QERF1EM-226Z	E CAPACITOR	22uF 25V M		C6572	NCB31HK-103X	C CAPACITOR	0.01uF 50V K	
C6112	QERF1EM-226Z	E CAPACITOR	22uF 25V M		C6574	NCB31CK-473X	C CAPACITOR	0.047uF 16V K	
C6113	QERF1CM-106Z	E CAPACITOR	10uF 16V M		C6576	NCB31CK-473X	C CAPACITOR	0.047uF 16V K	
C6114	QERF1CM-106Z	E CAPACITOR	10uF 16V M		C6601	QERF1EM-475Z	E CAPACITOR	4.7uF 25V M	
C6115	QERF1EM-107Z	E CAPACITOR	100uF 25V M		C6602	QERF1EM-475Z	E CAPACITOR	4.7uF 25V M	
C6116	QERF1CM-106Z	E CAPACITOR	10uF 16V M		C6631	QERF1HM-104Z	E CAPACITOR	0.1uF 50V M	
C6117	QERF1CM-106Z	E CAPACITOR	10uF 16V M		C6672	QERF1AM-107Z	E CAPACITOR	100uF 10V M	
C6118	QERF1CM-106Z	E CAPACITOR	10uF 16V M		C6673	QERF1AM-107Z	E CAPACITOR	100uF 10V M	
C6119	QERF1AM-107Z	E CAPACITOR	100uF 10V M		C6674	QERF1AM-107Z	E CAPACITOR	100uF 10V M	
C6121	QERF1AM-107Z	E CAPACITOR	100uF 10V M		C6675	QERF1AM-107Z	E CAPACITOR	100uF 10V M	
C6122	QERF1CM-106Z	E CAPACITOR	10uF 16V M		C6676	QERF1AM-107Z	E CAPACITOR	100uF 10V M	

△ Symbol No.	Part No.	Part Name	Description	Local	△ Symbol No.	Part No.	Part Name	Description	Local
C7001	NCB31HK-103X	C CAPACITOR	0.01uF 50V K		C7412	NCB31HK-103X	C CAPACITOR	0.01uF 50V K	
C7002	NCB31HK-103X	C CAPACITOR	0.01uF 50V K		C7413	NCB31CK-224X	C CAPACITOR	0.22uF 16V K	
C7051	QERF1AM-107Z	E CAPACITOR	100uF 10V M		C7414	NCB31CK-224X	C CAPACITOR	0.22uF 16V K	
C7052	QERF1AM-107Z	E CAPACITOR	100uF 10V M		C7451	NCB31CK-104X	C CAPACITOR	0.1uF 16V K	
C7061	QERF1EM-475Z	E CAPACITOR	4.7uF 25V M		C7452	NCB31CK-104X	C CAPACITOR	0.1uF 16V K	
C7062	QERF1EM-475Z	E CAPACITOR	4.7uF 25V M		C7453	QERF1CM-226Z	E CAPACITOR	22uF 16V M	
C7063	QERF1EM-475Z	E CAPACITOR	4.7uF 25V M		C7454	QERF1CM-226Z	E CAPACITOR	22uF 16V M	
C7064	QERF1EM-475Z	E CAPACITOR	4.7uF 25V M		C7501	NCS31HJ-101X	C CAPACITOR	100pF 50V J	
C7065	QERF1EM-475Z	E CAPACITOR	4.7uF 25V M		C7502	NCS31HJ-101X	C CAPACITOR	100pF 50V J	
C7066	QERF1EM-475Z	E CAPACITOR	4.7uF 25V M		C7503	NCS31HJ-101X	C CAPACITOR	100pF 50V J	
C7081	QERF1EM-475Z	E CAPACITOR	4.7uF 25V M		C7504	NCS31HJ-101X	C CAPACITOR	100pF 50V J	
C7082	QERF1EM-475Z	E CAPACITOR	4.7uF 25V M		C7505	QFV61HJ-474Z	MF CAPACITOR	0.47uF 50V J	
C7083	QERF1EM-475Z	E CAPACITOR	4.7uF 25V M		C7506	QFV61HJ-474Z	MF CAPACITOR	0.47uF 50V J	
C7084	QERF1EM-475Z	E CAPACITOR	4.7uF 25V M		C7507	QFV61HJ-474Z	MF CAPACITOR	0.47uF 50V J	
C7085	QERF1EM-475Z	E CAPACITOR	4.7uF 25V M		C7508	QFV61HJ-474Z	MF CAPACITOR	0.47uF 50V J	
C7101	NCB31CK-104X	C CAPACITOR	0.1uF 16V K		C7525	NCB31CK-104X	C CAPACITOR	0.1uF 16V K	
C7102	NCB31CK-104X	C CAPACITOR	0.1uF 16V K		C7526	NCB31CK-104X	C CAPACITOR	0.1uF 16V K	
C7103	NCB31CK-104X	C CAPACITOR	0.1uF 16V K		C7533	QFV61HJ-474Z	MF CAPACITOR	0.47uF 50V J	
C7111	NCB31CK-683X	C CAPACITOR	0.068uF 16V K		C7534	QFV61HJ-474Z	MF CAPACITOR	0.47uF 50V J	
C7113	NCB31AK-334X	C CAPACITOR	0.33uF 10V K		C7543	NCB31CK-104X	C CAPACITOR	0.1uF 16V K	
C7115	NCB31CK-223X	C CAPACITOR	0.022uF 16V K		C7544	NCB31CK-104X	C CAPACITOR	0.1uF 16V K	
C7117	NCB31CK-104X	C CAPACITOR	0.1uF 16V K		C7611	NCS31HJ-101X	C CAPACITOR	100pF 50V J	
C7119	NCB31HK-562X	C CAPACITOR	5600pF 50V K		C7612	NCS31HJ-101X	C CAPACITOR	100pF 50V J	
C7121	NCB31HK-333X	C CAPACITOR	0.033uF 50V K		C7631	NCS31HJ-101X	C CAPACITOR	100pF 50V J	
C7123	NCB31HK-222X	C CAPACITOR	2200pF 50V K		C7632	NCS31HJ-101X	C CAPACITOR	100pF 50V J	
C7125	NCB31HK-103X	C CAPACITOR	0.01uF 50V K		C7651	NCS31HJ-101X	C CAPACITOR	100pF 50V J	
C7127	NCB31HK-681X	C CAPACITOR	680pF 50V K		C7652	NCS31HJ-101X	C CAPACITOR	100pF 50V J	
C7129	NCB31HK-272X	C CAPACITOR	2700pF 50V K		C7721	QERF1CM-476Z	E CAPACITOR	47uF 16V M	
C7141	NCB31CK-104X	C CAPACITOR	0.1uF 16V K		C7722	QERF1HM-225Z	E CAPACITOR	2.2uF 50V M	
C7151	QERF1AM-107Z	E CAPACITOR	100uF 10V M		C7723	QERF1CM-226Z	E CAPACITOR	22uF 16V M	
C7152	QERF1AM-107Z	E CAPACITOR	100uF 10V M		C7724	QERF1HM-225Z	E CAPACITOR	2.2uF 50V M	
C7201	NCB31CK-104X	C CAPACITOR	0.1uF 16V K		C7744	QERF1EM-107Z	E CAPACITOR	100uF 25V M	
C7202	NCB31CK-104X	C CAPACITOR	0.1uF 16V K		C7745	QERF1HM-334Z	E CAPACITOR	0.33uF 50V M	
C7203	NCB31CK-104X	C CAPACITOR	0.1uF 16V K		C7811	QERF1EM-475Z	E CAPACITOR	4.7uF 25V M	
C7211	NCB31CK-683X	C CAPACITOR	0.068uF 16V K		C7812	QERF1EM-475Z	E CAPACITOR	4.7uF 25V M	
C7212	NCB31CK-683X	C CAPACITOR	0.068uF 16V K		C7831	QERF1EM-475Z	E CAPACITOR	4.7uF 25V M	
C7213	NCB31AK-334X	C CAPACITOR	0.33uF 10V K		C7832	QERF1EM-475Z	E CAPACITOR	4.7uF 25V M	
C7214	NCB31AK-334X	C CAPACITOR	0.33uF 10V K		C7851	QERF1EM-475Z	E CAPACITOR	4.7uF 25V M	
C7215	NCB31CK-223X	C CAPACITOR	0.022uF 16V K		C7852	QERF1EM-475Z	E CAPACITOR	4.7uF 25V M	
C7216	NCB31CK-223X	C CAPACITOR	0.022uF 16V K		C7871	QERF1AM-107Z	E CAPACITOR	100uF 10V M	
C7217	NCB31CK-104X	C CAPACITOR	0.1uF 16V K		C7891	QERF1CM-226Z	E CAPACITOR	22uF 16V M	
C7218	NCB31CK-104X	C CAPACITOR	0.1uF 16V K		C8011	QCZ0202-155Z	C CAPACITOR	1.5uF 25V Z	
C7219	NCB31HK-562X	C CAPACITOR	5600pF 50V K		C8021	NCB31HK-103X	C CAPACITOR	0.01uF 50V K	
C7220	NCB31HK-562X	C CAPACITOR	5600pF 50V K		C8022	NCB31CK-104X	C CAPACITOR	0.1uF 16V K	
C7221	NCB31HK-333X	C CAPACITOR	0.033uF 50V K		C8051	NCB31CK-104X	C CAPACITOR	0.1uF 16V K	
C7222	NCB31HK-333X	C CAPACITOR	0.033uF 50V K		C8061	QCZ0202-155Z	C CAPACITOR	1.5uF 25V Z	
C7223	NCB31HK-222X	C CAPACITOR	2200pF 50V K		C8071	NCB31HK-103X	C CAPACITOR	0.01uF 50V K	
C7224	NCB31HK-222X	C CAPACITOR	2200pF 50V K		C8072	NCB31CK-104X	C CAPACITOR	0.1uF 16V K	
C7225	NCB31HK-103X	C CAPACITOR	0.01uF 50V K		C8101	NCB31HK-103X	C CAPACITOR	0.01uF 50V K	
C7226	NCB31HK-103X	C CAPACITOR	0.01uF 50V K		C8102	NCB31HK-103X	C CAPACITOR	0.01uF 50V K	
C7227	NCB31HK-681X	C CAPACITOR	680pF 50V K		C8111	NCS31HJ-220X	C CAPACITOR	22pF 50V J	
C7228	NCB31HK-681X	C CAPACITOR	680pF 50V K		C8112	NCS31HJ-220X	C CAPACITOR	22pF 50V J	
C7229	NCB31HK-272X	C CAPACITOR	2700pF 50V K		C8131	NCS31HJ-101X	C CAPACITOR	100pF 50V J	
C7230	NCB31HK-272X	C CAPACITOR	2700pF 50V K		C8132	NCS31HJ-101X	C CAPACITOR	100pF 50V J	
C7301	NCB31CK-104X	C CAPACITOR	0.1uF 16V K		C8151	NCB31HK-103X	C CAPACITOR	0.01uF 50V K	
C7302	NCB31CK-104X	C CAPACITOR	0.1uF 16V K		C8201	QERF1CM-106Z	E CAPACITOR	10uF 16V M	
C7303	NCB31CK-104X	C CAPACITOR	0.1uF 16V K		C8202	QERF1CM-106Z	E CAPACITOR	10uF 16V M	
C7311	NCB31CK-683X	C CAPACITOR	0.068uF 16V K		C8203	QERF1CM-106Z	E CAPACITOR	10uF 16V M	
C7312	NCB31CK-683X	C CAPACITOR	0.068uF 16V K		C8204	QERF1CM-106Z	E CAPACITOR	10uF 16V M	
C7313	NCB31AK-334X	C CAPACITOR	0.33uF 10V K		C8211	QERF0JM-337Z	E CAPACITOR	330uF 6.3V M	
C7314	NCB31AK-334X	C CAPACITOR	0.33uF 10V K		C8221	QERF1AM-227Z	E CAPACITOR	220uF 10V M	
C7315	NCB31CK-223X	C CAPACITOR	0.022uF 16V K		C8251	QERF1CM-106Z	E CAPACITOR	10uF 16V M	
C7316	NCB31CK-223X	C CAPACITOR	0.022uF 16V K		C8252	QERF1CM-106Z	E CAPACITOR	10uF 16V M	
C7317	NCB31CK-104X	C CAPACITOR	0.1uF 16V K		C8253	QERF1CM-106Z	E CAPACITOR	10uF 16V M	
C7318	NCB31CK-104X	C CAPACITOR	0.1uF 16V K		C8261	QERF0JM-337Z	E CAPACITOR	330uF 6.3V M	
C7319	NCB31HK-562X	C CAPACITOR	5600pF 50V K		C8271	QERF1AM-227Z	E CAPACITOR	220uF 10V M	
C7320	NCB31HK-562X	C CAPACITOR	5600pF 50V K		C8301	QERF1AM-107Z	E CAPACITOR	100uF 10V M	
C7321	NCB31HK-333X	C CAPACITOR	0.033uF 50V K		C8302	QERF1CM-106Z	E CAPACITOR	10uF 16V M	
C7322	NCB31HK-333X	C CAPACITOR	0.033uF 50V K		C8303	QERF1AM-107Z	E CAPACITOR	100uF 10V M	
C7323	NCB31HK-222X	C CAPACITOR	2200pF 50V K		C8311	QERF1EM-475Z	E CAPACITOR	4.7uF 25V M	
C7324	NCB31HK-222X	C CAPACITOR	2200pF 50V K		C8312	QERF1EM-475Z	E CAPACITOR	4.7uF 25V M	
C7325	NCB31HK-103X	C CAPACITOR	0.01uF 50V K		C8313	QERF1EM-475Z	E CAPACITOR	4.7uF 25V M	
C7326	NCB31HK-103X	C CAPACITOR	0.01uF 50V K		C8314	QERF1EM-475Z	E CAPACITOR	4.7uF 25V M	
C7327	NCB31HK-681X	C CAPACITOR	680pF 50V K		C8315	QERF1EM-475Z	E CAPACITOR	4.7uF 25V M	
C7328	NCB31HK-681X	C CAPACITOR	680pF 50V K		C8316	QERF1EM-475Z	E CAPACITOR	4.7uF 25V M	
C7329	NCB31HK-272X	C CAPACITOR	2700pF 50V K		C8351	QERF1AM-107Z	E CAPACITOR	100uF 10V M	
C7330	NCB31HK-272X	C CAPACITOR	2700pF 50V K		C8353	QERF1AM-107Z	E CAPACITOR	100uF 10V M	
C7411	NCB31HK-103X	C CAPACITOR	0.01uF 50V K		C8361	QERF1EM-475Z	E CAPACITOR	4.7uF 25V M	

△ Symbol No.	Part No.	Part Name	Description	Local	△ Symbol No.	Part No.	Part Name	Description	Local
C8362	QERF1EM-475Z	E CAPACITOR	4.7uF 25V M		R6094	NRSA63J-0R0X	MG RESISTOR	0Ω 1/16W J	
C8363	QERF1EM-475Z	E CAPACITOR	4.7uF 25V M		R6097	NRSA63J-222X	MG RESISTOR	2.2kΩ 1/16W J	
C8364	QERF1EM-475Z	E CAPACITOR	4.7uF 25V M		R6098	NRSA63J-222X	MG RESISTOR	2.2kΩ 1/16W J	
C8509	NCB31HK-103X	C CAPACITOR	0.01uF 50V K		R6201	NRSA63J-750X	MG RESISTOR	75Ω 1/16W J	
C8510	NCS31HJ-8R0X	C CAPACITOR	8pF 50V J		R6202	NRSA63J-750X	MG RESISTOR	75Ω 1/16W J	
C8511	NCS31HJ-270X	C CAPACITOR	27pF 50V J		R6211	NRSA63J-104X	MG RESISTOR	100kΩ 1/16W J	
C8581	NCB31HK-103X	C CAPACITOR	0.01uF 50V K		R6212	NRSA63J-104X	MG RESISTOR	100kΩ 1/16W J	
C8594	NCB31HK-102X	C CAPACITOR	1000pF 50V K		R6213	NRSA63J-273X	MG RESISTOR	27kΩ 1/16W J	
C8609	QERF1AM-107Z	E CAPACITOR	100uF 10V M		R6214	NRSA63J-273X	MG RESISTOR	27kΩ 1/16W J	
C8681	QERF1AM-107Z	E CAPACITOR	100uF 10V M		R6215	NRSA63J-223X	MG RESISTOR	22kΩ 1/16W J	
C8701	NCB31CK-104X	C CAPACITOR	0.1uF 16V K		R6216	NRSA63J-223X	MG RESISTOR	22kΩ 1/16W J	
C8711	NCB31CK-104X	C CAPACITOR	0.1uF 16V K		R6217	NRSA63J-0R0X	MG RESISTOR	0Ω 1/16W J	
C8731	NCB31CK-104X	C CAPACITOR	0.1uF 16V K		R6218	NRSA63J-0R0X	MG RESISTOR	0Ω 1/16W J	
C8751	NCB31CK-473X	C CAPACITOR	0.047uF 16V K		R6221	NRSA63J-223X	MG RESISTOR	22kΩ 1/16W J	
C8801	QERF0JM-476Z	E CAPACITOR	47uF 6.3V M		R6222	NRSA63J-223X	MG RESISTOR	22kΩ 1/16W J	
C8901	NCS31HJ-101X	C CAPACITOR	100pF 50V J		R6223	NRSA63J-223X	MG RESISTOR	22kΩ 1/16W J	
C8902	NCS31HJ-101X	C CAPACITOR	100pF 50V J		R6224	NRSA63J-223X	MG RESISTOR	22kΩ 1/16W J	
C8906	NCS31HJ-101X	C CAPACITOR	100pF 50V J		R6225	NRSA63J-223X	MG RESISTOR	22kΩ 1/16W J	
C8909	NCS31HJ-101X	C CAPACITOR	100pF 50V J		R6226	NRSA63J-223X	MG RESISTOR	22kΩ 1/16W J	
C8910	NCS31HJ-101X	C CAPACITOR	100pF 50V J		R6227	NRSA63J-223X	MG RESISTOR	22kΩ 1/16W J	
C8914	NCS31HJ-101X	C CAPACITOR	100pF 50V J		R6228	NRSA63J-223X	MG RESISTOR	22kΩ 1/16W J	
C8915	NCS31HJ-101X	C CAPACITOR	100pF 50V J		R6231	NRSA63J-104X	MG RESISTOR	100kΩ 1/16W J	
C8916	NCS31HJ-101X	C CAPACITOR	100pF 50V J		R6232	NRSA63J-104X	MG RESISTOR	100kΩ 1/16W J	
C8934	NCS31HJ-101X	C CAPACITOR	100pF 50V J		R6233	NRSA63J-104X	MG RESISTOR	100kΩ 1/16W J	
C8935	NCS31HJ-101X	C CAPACITOR	100pF 50V J		R6234	NRSA63J-104X	MG RESISTOR	100kΩ 1/16W J	
C8936	NCS31HJ-101X	C CAPACITOR	100pF 50V J		R6237	NRSA63J-0R0X	MG RESISTOR	0Ω 1/16W J	
C8949	NCS31HJ-101X	C CAPACITOR	100pF 50V J		R6241	NRSA63J-303X	MG RESISTOR	30kΩ 1/16W J	
C8950	NCS31HJ-101X	C CAPACITOR	100pF 50V J		R6242	NRSA63J-303X	MG RESISTOR	30kΩ 1/16W J	
C8952	NCS31HJ-101X	C CAPACITOR	100pF 50V J		R6243	NRSA63J-303X	MG RESISTOR	30kΩ 1/16W J	
					R6244	NRSA63J-303X	MG RESISTOR	30kΩ 1/16W J	
R6001	NRSA63J-222X	MG RESISTOR	2.2kΩ 1/16W J		R6245	NRSA63J-223X	MG RESISTOR	22kΩ 1/16W J	
R6002	NRSA63J-0R0X	MG RESISTOR	0Ω 1/16W J		R6246	NRSA63J-223X	MG RESISTOR	22kΩ 1/16W J	
R6003	NRSA63J-912X	MG RESISTOR	9.1kΩ 1/16W J		R6247	NRSA63J-223X	MG RESISTOR	22kΩ 1/16W J	
R6004	NRSA63J-152X	MG RESISTOR	1.5kΩ 1/16W J		R6248	NRSA63J-223X	MG RESISTOR	22kΩ 1/16W J	
R6005	NRSA63J-823X	MG RESISTOR	82kΩ 1/16W J		R6251	NRSA63J-104X	MG RESISTOR	100kΩ 1/16W J	
R6006	NRSA63J-473X	MG RESISTOR	47kΩ 1/16W J		R6252	NRSA63J-104X	MG RESISTOR	100kΩ 1/16W J	
R6007	NRSA63J-103X	MG RESISTOR	10kΩ 1/16W J		R6253	NRSA63J-104X	MG RESISTOR	100kΩ 1/16W J	
R6008	NRSA63J-0R0X	MG RESISTOR	0Ω 1/16W J		R6254	NRSA63J-104X	MG RESISTOR	100kΩ 1/16W J	
R6011	NRSA63J-473X	MG RESISTOR	47kΩ 1/16W J		R6257	NRSA63J-0R0X	MG RESISTOR	0Ω 1/16W J	
R6012	NRSA63J-472X	MG RESISTOR	4.7kΩ 1/16W J		R6261	NRSA63J-303X	MG RESISTOR	30kΩ 1/16W J	
R6014	NRSA63J-0R0X	MG RESISTOR	0Ω 1/16W J		R6262	NRSA63J-303X	MG RESISTOR	30kΩ 1/16W J	
R6017	NRSA63J-0R0X	MG RESISTOR	0Ω 1/16W J		R6263	NRSA63J-303X	MG RESISTOR	30kΩ 1/16W J	
R6021	NRSA63J-272X	MG RESISTOR	2.7kΩ 1/16W J		R6264	NRSA63J-303X	MG RESISTOR	30kΩ 1/16W J	
R6022	NRSA63J-470X	MG RESISTOR	47Ω 1/16W J		R6265	NRSA63J-223X	MG RESISTOR	22kΩ 1/16W J	
R6023	NRSA63J-681X	MG RESISTOR	680Ω 1/16W J		R6266	NRSA63J-223X	MG RESISTOR	22kΩ 1/16W J	
R6024	NRSA63J-333X	MG RESISTOR	33kΩ 1/16W J		R6267	NRSA63J-223X	MG RESISTOR	22kΩ 1/16W J	
R6025	NRSA63J-104X	MG RESISTOR	100kΩ 1/16W J		R6268	NRSA63J-223X	MG RESISTOR	22kΩ 1/16W J	
R6026	NRSA63J-470X	MG RESISTOR	47Ω 1/16W J		R6271	NRSA63J-104X	MG RESISTOR	100kΩ 1/16W J	
R6027	NRSA63J-122X	MG RESISTOR	1.2kΩ 1/16W J		R6272	NRSA63J-104X	MG RESISTOR	100kΩ 1/16W J	
R6028	NRSA63J-823X	MG RESISTOR	82kΩ 1/16W J		R6273	NRSA63J-104X	MG RESISTOR	100kΩ 1/16W J	
R6029	NRSA63J-104X	MG RESISTOR	100kΩ 1/16W J		R6274	NRSA63J-104X	MG RESISTOR	100kΩ 1/16W J	
R6031	NRSA63J-103X	MG RESISTOR	10kΩ 1/16W J		R6277	NRSA63J-0R0X	MG RESISTOR	0Ω 1/16W J	
R6032	NRSA63J-123X	MG RESISTOR	12kΩ 1/16W J		R6281	NRSA63J-104X	MG RESISTOR	100kΩ 1/16W J	
R6033	NRSA63J-561X	MG RESISTOR	560Ω 1/16W J		R6282	NRSA63J-104X	MG RESISTOR	100kΩ 1/16W J	
R6034	NRSA63J-561X	MG RESISTOR	560Ω 1/16W J		R6283	NRSA63J-0R0X	MG RESISTOR	0Ω 1/16W J	
R6035	NRSA63J-101X	MG RESISTOR	100Ω 1/16W J		R6284	NRSA63J-0R0X	MG RESISTOR	0Ω 1/16W J	
R6036	NRSA63J-101X	MG RESISTOR	100Ω 1/16W J		R6287	NRSA63J-0R0X	MG RESISTOR	0Ω 1/16W J	
R6037	NRSA63J-0R0X	MG RESISTOR	0Ω 1/16W J		R6291	NRSA63J-104X	MG RESISTOR	100kΩ 1/16W J	
R6038	NRSA63J-0R0X	MG RESISTOR	0Ω 1/16W J		R6292	NRSA63J-104X	MG RESISTOR	100kΩ 1/16W J	
R6041	NRSA63J-103X	MG RESISTOR	10kΩ 1/16W J		R6293	NRSA63J-0R0X	MG RESISTOR	0Ω 1/16W J	
R6043	NRSA63J-152X	MG RESISTOR	1.5kΩ 1/16W J		R6294	NRSA63J-0R0X	MG RESISTOR	0Ω 1/16W J	
R6044	NRSA63J-681X	MG RESISTOR	680Ω 1/16W J		R6297	NRSA63J-0R0X	MG RESISTOR	0Ω 1/16W J	
R6046	NRSA63J-152X	MG RESISTOR	1.5kΩ 1/16W J		R6301	NRSA63J-473X	MG RESISTOR	47kΩ 1/16W J	
R6047	NRSA63J-152X	MG RESISTOR	1.5kΩ 1/16W J		R6302	NRSA63J-473X	MG RESISTOR	47kΩ 1/16W J	
R6048	NRSA63J-152X	MG RESISTOR	1.5kΩ 1/16W J		R6303	NRSA63J-473X	MG RESISTOR	47kΩ 1/16W J	
R6052	NRSA63J-472X	MG RESISTOR	4.7kΩ 1/16W J		R6304	NRSA63J-473X	MG RESISTOR	47kΩ 1/16W J	
R6053	NRSA63J-473X	MG RESISTOR	47kΩ 1/16W J		R6305	NRSA63J-473X	MG RESISTOR	47kΩ 1/16W J	
R6054	NRSA63J-103X	MG RESISTOR	10kΩ 1/16W J		R6306	NRSA63J-473X	MG RESISTOR	47kΩ 1/16W J	
R6057	NRSA63J-473X	MG RESISTOR	47kΩ 1/16W J		R6307	NRSA63J-0R0X	MG RESISTOR	0Ω 1/16W J	
R6058	NRSA63J-473X	MG RESISTOR	47kΩ 1/16W J		R6501	NRSA63J-393X	MG RESISTOR	39kΩ 1/16W J	
R6071	NRSA63J-0R0X	MG RESISTOR	0Ω 1/16W J		R6502	NRSA63J-393X	MG RESISTOR	39kΩ 1/16W J	
R6072	NRSA63J-471X	MG RESISTOR	470Ω 1/16W J		R6503	NRSA63J-102X	MG RESISTOR	1kΩ 1/16W J	
R6081	NRS181J-222X	MG RESISTOR	2.2kΩ 1/8W J		R6504	NRSA63J-102X	MG RESISTOR	1kΩ 1/16W J	
R6082	NRS181J-222X	MG RESISTOR	2.2kΩ 1/8W J		R6511	NRSA63J-472X	MG RESISTOR	4.7kΩ 1/16W J	
R6083	NRS181J-222X	MG RESISTOR	2.2kΩ 1/8W J		R6512	NRSA63J-393X	MG RESISTOR	39kΩ 1/16W J	
R6091	NRSA63J-102X	MG RESISTOR	1kΩ 1/16W J		R6513	NRSA63J-103X	MG RESISTOR	10kΩ 1/16W J	
R6092	NRSA63J-102X	MG RESISTOR	1kΩ 1/16W J		R6521	NRSA63J-100X	MG RESISTOR	10Ω 1/16W J	
R6093	NRSA63J-473X	MG RESISTOR	47kΩ 1/16W J		R6522	NRSA63J-220X	MG RESISTOR	22Ω 1/16W J	

△ Symbol No.	Part No.	Part Name	Description	Local	△ Symbol No.	Part No.	Part Name	Description	Local
R6523	NRSA63J-220X	MG RESISTOR	22Ω 1/16W J		R8002	NRSA63J-0R0X	MG RESISTOR	0Ω 1/16W J	
R6524	NRSA63J-473X	MG RESISTOR	47kΩ 1/16W J		R8003	NRSA63J-0R0X	MG RESISTOR	0Ω 1/16W J	
R6525	NRSA63J-472X	MG RESISTOR	4.7kΩ 1/16W J		R8004	NRSA63J-0R0X	MG RESISTOR	0Ω 1/16W J	
R6526	NRSA63J-473X	MG RESISTOR	47kΩ 1/16W J		R8012	NRSA63J-102X	MG RESISTOR	1kΩ 1/16W J	
R6527	NRSA63J-332X	MG RESISTOR	3.3kΩ 1/16W J		R8021	NRSA63J-100X	MG RESISTOR	10Ω 1/16W J	
R6528	NRSA63J-0R0X	MG RESISTOR	0Ω 1/16W J		R8051	NRSA63J-0R0X	MG RESISTOR	0Ω 1/16W J	
R6529	NRSA63J-473X	MG RESISTOR	47kΩ 1/16W J		R8052	NRSA63J-0R0X	MG RESISTOR	0Ω 1/16W J	
R6532	NRSA63J-0R0X	MG RESISTOR	0Ω 1/16W J		R8053	NRSA63J-0R0X	MG RESISTOR	0Ω 1/16W J	
R6543	NRSA63J-473X	MG RESISTOR	47kΩ 1/16W J		R8062	NRSA63J-102X	MG RESISTOR	1kΩ 1/16W J	
R6544	NRSA63J-473X	MG RESISTOR	47kΩ 1/16W J		R8071	NRSA63J-100X	MG RESISTOR	10Ω 1/16W J	
R6551	NRSA63J-473X	MG RESISTOR	47kΩ 1/16W J		R8101	NRSA63J-0R0X	MG RESISTOR	0Ω 1/16W J	
R7001	NRSA63J-0R0X	MG RESISTOR	0Ω 1/16W J		R8102	NRSA63J-0R0X	MG RESISTOR	0Ω 1/16W J	
R7101	NRSA63J-0R0X	MG RESISTOR	0Ω 1/16W J		R8111	NRSA63J-104X	MG RESISTOR	100kΩ 1/16W J	
R7401	NRSA63J-224X	MG RESISTOR	220kΩ 1/16W J		R8112	NRSA63J-104X	MG RESISTOR	100kΩ 1/16W J	
R7403	NRSA63J-474X	MG RESISTOR	470kΩ 1/16W J		R8113	NRSA63J-223X	MG RESISTOR	22kΩ 1/16W J	
R7404	NRSA63J-224X	MG RESISTOR	220kΩ 1/16W J		R8114	NRSA63J-223X	MG RESISTOR	22kΩ 1/16W J	
R7405	NRSA63J-474X	MG RESISTOR	470kΩ 1/16W J		R8115	NRSA63J-223X	MG RESISTOR	22kΩ 1/16W J	
R7411	NRSA63J-224X	MG RESISTOR	220kΩ 1/16W J		R8116	NRSA63J-223X	MG RESISTOR	22kΩ 1/16W J	
R7412	NRSA63J-224X	MG RESISTOR	220kΩ 1/16W J		R8131	NRSA63J-102X	MG RESISTOR	1kΩ 1/16W J	
R7413	NRSA63J-473X	MG RESISTOR	47kΩ 1/16W J		R8132	NRSA63J-102X	MG RESISTOR	1kΩ 1/16W J	
R7414	NRSA63J-473X	MG RESISTOR	47kΩ 1/16W J		R8133	NRSA63J-101X	MG RESISTOR	100Ω 1/16W J	
R7415	NRSA63J-183X	MG RESISTOR	18kΩ 1/16W J		R8134	NRSA63J-101X	MG RESISTOR	100Ω 1/16W J	
R7416	NRSA63J-183X	MG RESISTOR	18kΩ 1/16W J		R8135	NRSA63J-473X	MG RESISTOR	47kΩ 1/16W J	
R7417	NRSA63J-221X	MG RESISTOR	220Ω 1/16W J		R8136	NRSA63J-473X	MG RESISTOR	47kΩ 1/16W J	
R7418	NRSA63J-221X	MG RESISTOR	220Ω 1/16W J		R8137	NRSA63J-472X	MG RESISTOR	4.7kΩ 1/16W J	
R7421	NRSA63J-103X	MG RESISTOR	10kΩ 1/16W J		R8138	NRSA63J-472X	MG RESISTOR	4.7kΩ 1/16W J	
R7422	NRSA63J-103X	MG RESISTOR	10kΩ 1/16W J		R8141	NRSA63J-750X	MG RESISTOR	75Ω 1/16W J	
R7423	NRSA63J-474X	MG RESISTOR	470kΩ 1/16W J		R8151	NRSA63J-0R0X	MG RESISTOR	0Ω 1/16W J	
R7424	NRSA63J-474X	MG RESISTOR	470kΩ 1/16W J		R8181	NRSA63J-102X	MG RESISTOR	1kΩ 1/16W J	
R7431	NRSA63J-0R0X	MG RESISTOR	0Ω 1/16W J		R8182	NRSA63J-102X	MG RESISTOR	1kΩ 1/16W J	
R7432	NRSA63J-0R0X	MG RESISTOR	0Ω 1/16W J		R8183	NRSA63J-101X	MG RESISTOR	100Ω 1/16W J	
R7501	NRSA63J-102X	MG RESISTOR	1kΩ 1/16W J		R8184	NRSA63J-101X	MG RESISTOR	100Ω 1/16W J	
R7502	NRSA63J-102X	MG RESISTOR	1kΩ 1/16W J		R8185	NRSA63J-473X	MG RESISTOR	47kΩ 1/16W J	
R7503	NRSA63J-102X	MG RESISTOR	1kΩ 1/16W J		R8186	NRSA63J-473X	MG RESISTOR	47kΩ 1/16W J	
R7504	NRSA63J-102X	MG RESISTOR	1kΩ 1/16W J		R8187	NRSA63J-472X	MG RESISTOR	4.7kΩ 1/16W J	
R7511	NRSA63J-273X	MG RESISTOR	27kΩ 1/16W J		R8188	NRSA63J-472X	MG RESISTOR	4.7kΩ 1/16W J	
R7512	NRSA63J-100X	MG RESISTOR	10Ω 1/16W J		R8501	NRSA63J-471X	MG RESISTOR	470Ω 1/16W J	
R7513	NRSA63J-103X	MG RESISTOR	10kΩ 1/16W J		R8502	NRSA63J-471X	MG RESISTOR	470Ω 1/16W J	
R7514	NRSA63J-473X	MG RESISTOR	47kΩ 1/16W J		R8503	NRSA63J-471X	MG RESISTOR	470Ω 1/16W J	
R7515	NRSA63J-222X	MG RESISTOR	2.2kΩ 1/16W J		R8504	NRSA63J-102X	MG RESISTOR	1kΩ 1/16W J	
R7521	NRSA63J-513X	MG RESISTOR	51kΩ 1/16W J		R8505	NRSA63J-102X	MG RESISTOR	1kΩ 1/16W J	
R7522	NRSA63J-333X	MG RESISTOR	33kΩ 1/16W J		R8506	NRSA63J-103X	MG RESISTOR	10kΩ 1/16W J	
R7523	NRSA63J-0R0X	MG RESISTOR	0Ω 1/16W J		R8510	NRSA63J-821X	MG RESISTOR	820Ω 1/16W J	
R7557	NRSA63J-0R0X	MG RESISTOR	0Ω 1/16W J		R8519	NRSA63J-0R0X	MG RESISTOR	0Ω 1/16W J	
R7558	NRSA63J-0R0X	MG RESISTOR	0Ω 1/16W J		R8520	NRSA63J-102X	MG RESISTOR	1kΩ 1/16W J	
R7577	NRSA63J-0R0X	MG RESISTOR	0Ω 1/16W J		R8521	NRSA63J-102X	MG RESISTOR	1kΩ 1/16W J	
R7578	NRSA63J-0R0X	MG RESISTOR	0Ω 1/16W J		R8522	NRSA63J-102X	MG RESISTOR	1kΩ 1/16W J	
R7597	NRSA63J-0R0X	MG RESISTOR	0Ω 1/16W J		R8526	NRSA63J-103X	MG RESISTOR	10kΩ 1/16W J	
R7598	NRSA63J-0R0X	MG RESISTOR	0Ω 1/16W J		R8527	NRSA63J-103X	MG RESISTOR	10kΩ 1/16W J	
R7611	NRSA63J-102X	MG RESISTOR	1kΩ 1/16W J		R8528	NRSA63J-103X	MG RESISTOR	10kΩ 1/16W J	
R7612	NRSA63J-102X	MG RESISTOR	1kΩ 1/16W J		R8534	NRSA63J-0R0X	MG RESISTOR	0Ω 1/16W J	
R7613	NRSA63J-101X	MG RESISTOR	100Ω 1/16W J		R8535	NRSA63J-102X	MG RESISTOR	1kΩ 1/16W J	
R7614	NRSA63J-101X	MG RESISTOR	100Ω 1/16W J		R8538	NRSA63J-332X	MG RESISTOR	3.3kΩ 1/16W J	
R7615	NRSA63J-473X	MG RESISTOR	47kΩ 1/16W J		R8540	NRSA63J-472X	MG RESISTOR	4.7kΩ 1/16W J	
R7616	NRSA63J-473X	MG RESISTOR	47kΩ 1/16W J		R8541	NRSA63J-101X	MG RESISTOR	100Ω 1/16W J	
R7617	NRSA63J-472X	MG RESISTOR	4.7kΩ 1/16W J		R8542	NRSA63J-101X	MG RESISTOR	100Ω 1/16W J	
R7618	NRSA63J-472X	MG RESISTOR	4.7kΩ 1/16W J		R8543	NRSA63J-102X	MG RESISTOR	1kΩ 1/16W J	
R7631	NRSA63J-102X	MG RESISTOR	1kΩ 1/16W J		R8544	NRSA63J-0R0X	MG RESISTOR	0Ω 1/16W J	
R7632	NRSA63J-102X	MG RESISTOR	1kΩ 1/16W J		R8545	NRSA63J-0R0X	MG RESISTOR	0Ω 1/16W J	
R7633	NRSA63J-101X	MG RESISTOR	100Ω 1/16W J		R8546	NRSA63J-152X	MG RESISTOR	1.5kΩ 1/16W J	
R7634	NRSA63J-101X	MG RESISTOR	100Ω 1/16W J		R8547	NRSA63J-152X	MG RESISTOR	1.5kΩ 1/16W J	
R7635	NRSA63J-473X	MG RESISTOR	47kΩ 1/16W J		R8548	NRSA63J-102X	MG RESISTOR	1kΩ 1/16W J	
R7636	NRSA63J-473X	MG RESISTOR	47kΩ 1/16W J		R8549	NRSA63J-102X	MG RESISTOR	1kΩ 1/16W J	
R7637	NRSA63J-472X	MG RESISTOR	4.7kΩ 1/16W J		R8551	NRSA63J-0R0X	MG RESISTOR	0Ω 1/16W J	
R7638	NRSA63J-472X	MG RESISTOR	4.7kΩ 1/16W J		R8553	NRSA63J-102X	MG RESISTOR	1kΩ 1/16W J	
R7651	NRSA63J-102X	MG RESISTOR	1kΩ 1/16W J		R8554	NRSA63J-102X	MG RESISTOR	1kΩ 1/16W J	
R7652	NRSA63J-102X	MG RESISTOR	1kΩ 1/16W J		R8556	NRSA63J-102X	MG RESISTOR	1kΩ 1/16W J	
R7653	NRSA63J-101X	MG RESISTOR	100Ω 1/16W J		R8558	NRSA63J-102X	MG RESISTOR	1kΩ 1/16W J	
R7654	NRSA63J-101X	MG RESISTOR	100Ω 1/16W J		R8560	NRSA63J-102X	MG RESISTOR	1kΩ 1/16W J	
R7655	NRSA63J-473X	MG RESISTOR	47kΩ 1/16W J		R8567	NRSA63J-473X	MG RESISTOR	47kΩ 1/16W J	
R7656	NRSA63J-473X	MG RESISTOR	47kΩ 1/16W J		R8568	NRSA63J-473X	MG RESISTOR	47kΩ 1/16W J	
R7657	NRSA63J-472X	MG RESISTOR	4.7kΩ 1/16W J		R8573	NRSA63J-471X	MG RESISTOR	470Ω 1/16W J	
R7658	NRSA63J-472X	MG RESISTOR	4.7kΩ 1/16W J		R8574	NRSA63J-221X	MG RESISTOR	220Ω 1/16W J	
R7671	NRSA63J-0R0X	MG RESISTOR	0Ω 1/16W J		R8576	NRSA63J-471X	MG RESISTOR	470Ω 1/16W J	
R7682	NRSA63J-0R0X	MG RESISTOR	0Ω 1/16W J		R8577	NRSA63J-471X	MG RESISTOR	470Ω 1/16W J	
R7683	NRSA63J-472X	MG RESISTOR	4.7kΩ 1/16W J		R8578	NRSA63J-471X	MG RESISTOR	470Ω 1/16W J	
R7692	NRSA63J-103X	MG RESISTOR	10kΩ 1/16W J		R8579	NRSA63J-471X	MG RESISTOR	470Ω 1/16W J	
R8001	NRSA63J-0R0X	MG RESISTOR	0Ω 1/16W J		R8582	NRSA63J-471X	MG RESISTOR	470Ω 1/16W J	
					R8583	NRSA63J-471X	MG RESISTOR	470Ω 1/16W J	

Symbol No.	Part No.	Part Name	Description	Local
R8584	NRSA63J-102X	MG RESISTOR	1kΩ 1/16W J	
R8585	NRSA63J-102X	MG RESISTOR	1kΩ 1/16W J	
R8586	NRSA63J-102X	MG RESISTOR	1kΩ 1/16W J	
R8587	NRSA63J-102X	MG RESISTOR	1kΩ 1/16W J	
R8588	NRSA63J-102X	MG RESISTOR	1kΩ 1/16W J	
R8589	NRSA63J-102X	MG RESISTOR	1kΩ 1/16W J	
R8590	NRSA63J-102X	MG RESISTOR	1kΩ 1/16W J	
R8591	NRSA63J-471X	MG RESISTOR	470Ω 1/16W J	
R8592	NRSA63J-471X	MG RESISTOR	470Ω 1/16W J	
R8593	NRSA63J-471X	MG RESISTOR	470Ω 1/16W J	
R8595	NRSA63J-102X	MG RESISTOR	1kΩ 1/16W J	
R8596	NRSA63J-102X	MG RESISTOR	1kΩ 1/16W J	
R8597	NRSA63J-102X	MG RESISTOR	1kΩ 1/16W J	
R8598	NRSA63J-102X	MG RESISTOR	1kΩ 1/16W J	
R8599	NRSA63J-102X	MG RESISTOR	1kΩ 1/16W J	
R8608	NRSA63J-473X	MG RESISTOR	47kΩ 1/16W J	
R8617	NRSA63J-473X	MG RESISTOR	47kΩ 1/16W J	
R8618	NRSA63J-104X	MG RESISTOR	100kΩ 1/16W J	
R8634	NRSA63J-473X	MG RESISTOR	47kΩ 1/16W J	
R8637	NRSA63J-473X	MG RESISTOR	47kΩ 1/16W J	
R8638	NRSA63J-562X	MG RESISTOR	5.6kΩ 1/16W J	
R8645	NRSA63J-473X	MG RESISTOR	47kΩ 1/16W J	
R8646	NRSA63J-222X	MG RESISTOR	2.2kΩ 1/16W J	
R8647	NRSA63J-222X	MG RESISTOR	2.2kΩ 1/16W J	
R8665	NRSA63J-473X	MG RESISTOR	47kΩ 1/16W J	
R8666	NRSA63J-473X	MG RESISTOR	47kΩ 1/16W J	
R8669	NRSA63J-473X	MG RESISTOR	47kΩ 1/16W J	
R8670	NRSA63J-473X	MG RESISTOR	47kΩ 1/16W J	
R8671	NRSA63J-473X	MG RESISTOR	47kΩ 1/16W J	
R8694	NRSA63J-103X	MG RESISTOR	10kΩ 1/16W J	
R8701	NRSA63J-473X	MG RESISTOR	47kΩ 1/16W J	
R8702	NRSA63J-222X	MG RESISTOR	2.2kΩ 1/16W J	
R8705	NRSA63J-0R0X	MG RESISTOR	0Ω 1/16W J	
R8712	NRSA63J-471X	MG RESISTOR	470Ω 1/16W J	
R8713	NRSA63J-471X	MG RESISTOR	470Ω 1/16W J	
R8714	NRSA63J-471X	MG RESISTOR	470Ω 1/16W J	
R8715	NRSA63J-102X	MG RESISTOR	1kΩ 1/16W J	
R8716	NRSA63J-104X	MG RESISTOR	100kΩ 1/16W J	
R8732	NRSA63J-472X	MG RESISTOR	4.7kΩ 1/16W J	
R8751	NRSA63J-223X	MG RESISTOR	22kΩ 1/16W J	
R8752	NRSA63J-104X	MG RESISTOR	100kΩ 1/16W J	
R8753	NRSA63J-101X	MG RESISTOR	100Ω 1/16W J	
R8754	NRSA63J-473X	MG RESISTOR	47kΩ 1/16W J	
R8755	NRSA63J-103X	MG RESISTOR	10kΩ 1/16W J	
R8756	NRSA63J-101X	MG RESISTOR	100Ω 1/16W J	
R8757	NRSA63J-473X	MG RESISTOR	47kΩ 1/16W J	
R8758	NRSA63J-223X	MG RESISTOR	22kΩ 1/16W J	
R8759	NRSA63J-331X	MG RESISTOR	330Ω 1/16W J	
R8760	NRSA63J-104X	MG RESISTOR	100kΩ 1/16W J	
R8901	NRSA63J-102X	MG RESISTOR	1kΩ 1/16W J	
R8902	NRSA63J-103X	MG RESISTOR	10kΩ 1/16W J	
R8903	NRSA63J-101X	MG RESISTOR	100Ω 1/16W J	
R8904	NRSA63J-101X	MG RESISTOR	100Ω 1/16W J	
R8907	NRSA63J-220X	MG RESISTOR	22Ω 1/16W J	
R8917	NRSA63J-750X	MG RESISTOR	75Ω 1/16W J	
R8919	NRSA63J-750X	MG RESISTOR	75Ω 1/16W J	
R8931	NRSA63J-101X	MG RESISTOR	100Ω 1/16W J	
R8932	NRSA63J-101X	MG RESISTOR	100Ω 1/16W J	
R8944	NRSA63J-750X	MG RESISTOR	75Ω 1/16W J	
R8945	NRSA63J-101X	MG RESISTOR	100Ω 1/16W J	
R8951	NRSA63J-101X	MG RESISTOR	100Ω 1/16W J	
L6001	QLL26AK-221Z	CHOKE COIL	220uH K	
L6002	NQL32CM-470X	COIL	47uH M	
L6091	QQR1462-001	CHOKE COIL		
L6201	NRSA63J-0R0X	MG RESISTOR	0Ω 1/16W J	
L6202	NRSA63J-0R0X	MG RESISTOR	0Ω 1/16W J	
L6501	NQL114K-100X	COIL	10uH K	
L6572	NRSA63J-0R0X	MG RESISTOR	0Ω 1/16W J	
L6573	NRSA63J-0R0X	MG RESISTOR	0Ω 1/16W J	
L6574	NRSA63J-0R0X	MG RESISTOR	0Ω 1/16W J	
L6575	NRSA63J-0R0X	MG RESISTOR	0Ω 1/16W J	
L6576	NRSA63J-0R0X	MG RESISTOR	0Ω 1/16W J	
L8021	NRSA63J-0R0X	MG RESISTOR	0Ω 1/16W J	
L8071	NRSA63J-0R0X	MG RESISTOR	0Ω 1/16W J	
L8141	NRSA63J-0R0X	MG RESISTOR	0Ω 1/16W J	
L8523	NRSA63J-0R0X	MG RESISTOR	0Ω 1/16W J	
L8581	NRSA63J-0R0X	MG RESISTOR	0Ω 1/16W J	

Symbol No.	Part No.	Part Name	Description	Local
L8917	NRSA63J-0R0X	MG RESISTOR	0Ω 1/16W J	
L8919	NRSA63J-0R0X	MG RESISTOR	0Ω 1/16W J	
L8944	NRSA63J-0R0X	MG RESISTOR	0Ω 1/16W J	
CN601	QGA2001C1-02	CONNECTOR	W-B (1-2)	
CN650	QGB2024K1-20S	CONNECTOR	B-B (1-20)	
CN652	QGB2024J1-20S	CONNECTOR	B-B (1-20)	
CN701	QGB2027M7-26S	CONNECTOR	B-B (1-26)	
CN751	QNZ0090-001	CAR CONNECTOR		
CN752	QGA4201F1-04	CONNECTOR	W-B (1-4)	
CN861	QGF0501F1-08X	CONNECTOR	FFC/FCPC (1-8)	
CN890	QNZ0691-001	D CONNECTOR		
CN893	QNZ0095-001	CONNECTOR		
CN894	QNZ0690-001	D CONNECTOR		
△F751	QMFZ039-150-T	FUSE	15A	
J6201	QNN0623-001	PIN JACK		
J6202	QNN0623-001	PIN JACK		
J6501	QNB0100-002	CAR ANT JACK		
J7611	QNN0605-001	PIN JACK		
J8141	QNN0623-001	PIN JACK		
K8509	NQR0269-004X	FERRITE BEADS		
PP1	QZW0010-001	STYLE PIN		
TH601	NAD0028-103X	N THERMISTOR	10kΩ	
TU651	QAU0403-001	TUNER		
X8510	QAX0617-001Z	CRYSTAL	12.500MHz	

DSP board

Block No. [0][5]

Symbol No.	Part No.	Part Name	Description	Local
IC901	UPD784217AGC266	IC		
IC902	SN74AHT1G32K-X	IC		
IC903	SN74LVC1G04K-X	IC		
IC904	BA3259HFP-W	IC		
IC905	NJM78M05DL1A-X	IC		
IC911	DSPA56370AF	IC		
IC912	SN74LVC1GU04K-X	IC		
IC921	CS42518-CQZ-C-W	IC		
IC951	NJM4565V-X	IC		
IC952	NJM4565V-X	IC		
IC961	NJM4565V-X	IC		
IC962	NJM4565V-X	IC		
IC963	NJM4565V-X	IC		
IC971	NJM4565V-X	IC		
IC972	NJM4565V-X	IC		
IC973	NJM4565V-X	IC		
IC981	NJM4565V-X	IC		
IC982	NJM4565V-X	IC		
IC983	NJM4565V-X	IC		
IC984	NJM2121M-X	IC		
Q9003	UN2214-X	TRANSISTOR		
Q9601	2SD2114K/VW/-X	TRANSISTOR		
Q9602	2SD2114K/VW/-X	TRANSISTOR		
Q9603	UN2114-X	TRANSISTOR		
Q9604	2SD2114K/VW/-X	TRANSISTOR		
Q9701	2SD2114K/VW/-X	TRANSISTOR		
Q9702	2SD2114K/VW/-X	TRANSISTOR		
Q9703	UN2114-X	TRANSISTOR		
Q9704	2SD2114K/VW/-X	TRANSISTOR		
Q9801	2SD2114K/VW/-X	TRANSISTOR		
Q9802	2SD2114K/VW/-X	TRANSISTOR		
Q9805	UN2114-X	TRANSISTOR		
Q9806	UN2214-X	TRANSISTOR		
D9601	MA152WA-X	DIODE		
D9701	MA152WA-X	DIODE		
D9801	MA152WA-X	DIODE		
C9001	NCS31HJ-101X	C CAPACITOR	100pF 50V J	
C9002	NCB31HK-103X	C CAPACITOR	0.01uF 50V K	
C9003	QERF0JM-107Z	E CAPACITOR	100uF 6.3V M	
C9012	NCB31CK-104X	C CAPACITOR	0.1uF 16V K	

△ Symbol No.	Part No.	Part Name	Description	Local	△ Symbol No.	Part No.	Part Name	Description	Local
C9013	NCB31CK-104X	C CAPACITOR	0.1uF 16V K		C9606	NCB31HK-471X	C CAPACITOR	470pF 50V K	
C9015	NCB31CK-104X	C CAPACITOR	0.1uF 16V K		C9607	NCB31HK-821X	C CAPACITOR	820pF 50V K	
C9016	NCB31CK-104X	C CAPACITOR	0.1uF 16V K		C9608	NCB31HK-821X	C CAPACITOR	820pF 50V K	
C9017	NCB31HK-103X	C CAPACITOR	0.01uF 50V K		C9609	NCS31HJ-151X	C CAPACITOR	150pF 50V J	
C9018	NCB31HK-103X	C CAPACITOR	0.01uF 50V K		C9610	NCS31HJ-151X	C CAPACITOR	150pF 50V J	
C9021	NCB31CK-104X	C CAPACITOR	0.1uF 16V K		C9611	NCS31HJ-330X	C CAPACITOR	33pF 50V J	
C9022	NCB31CK-104X	C CAPACITOR	0.1uF 16V K		C9612	NCS31HJ-330X	C CAPACITOR	33pF 50V J	
C9041	NCB31CK-104X	C CAPACITOR	0.1uF 16V K		C9613	QERF1EM-475Z	E CAPACITOR	4.7uF 25V M	
C9042	QERF1CM-106Z	E CAPACITOR	10uF 16V M		C9614	QERF1EM-475Z	E CAPACITOR	4.7uF 25V M	
C9043	QERF0JM-107Z	E CAPACITOR	100uF 6.3V M		C9615	NCB31HK-222X	C CAPACITOR	2200pF 50V K	
C9044	NCB31HK-103X	C CAPACITOR	0.01uF 50V K		C9616	NCB31HK-222X	C CAPACITOR	2200pF 50V K	
C9051	NCB31CK-104X	C CAPACITOR	0.1uF 16V K		C9618	QERF1EM-475Z	E CAPACITOR	4.7uF 25V M	
C9052	NCB31CK-104X	C CAPACITOR	0.1uF 16V K		C9620	QERF1EM-475Z	E CAPACITOR	4.7uF 25V M	
C9053	QERF0JM-107Z	E CAPACITOR	100uF 6.3V M		C9621	NCB31CK-104X	C CAPACITOR	0.1uF 16V K	
C9054	NCB31CK-104X	C CAPACITOR	0.1uF 16V K		C9622	NCB31CK-104X	C CAPACITOR	0.1uF 16V K	
C9055	QERF0JM-107Z	E CAPACITOR	100uF 6.3V M		C9623	NCB31CK-104X	C CAPACITOR	0.1uF 16V K	
C9101	NCB31CK-104X	C CAPACITOR	0.1uF 16V K		C9625	NCB31CK-104X	C CAPACITOR	0.1uF 16V K	
C9102	NCB31CK-104X	C CAPACITOR	0.1uF 16V K		C9626	NCB31CK-104X	C CAPACITOR	0.1uF 16V K	
C9107	NCB31CK-104X	C CAPACITOR	0.1uF 16V K		C9627	NCB31CK-104X	C CAPACITOR	0.1uF 16V K	
C9108	NCB31CK-104X	C CAPACITOR	0.1uF 16V K		C9641	QERF1CM-106Z	E CAPACITOR	10uF 16V M	
C9109	NCB31CK-104X	C CAPACITOR	0.1uF 16V K		C9642	QERF1CM-106Z	E CAPACITOR	10uF 16V M	
C9110	NCB31CK-104X	C CAPACITOR	0.1uF 16V K		C9643	QERF1CM-106Z	E CAPACITOR	10uF 16V M	
C9111	NCB31HK-102X	C CAPACITOR	1000pF 50V K		C9644	QERF1CM-106Z	E CAPACITOR	10uF 16V M	
C9112	QERF0JM-107Z	E CAPACITOR	100uF 6.3V M		C9701	NCB31HK-682X	C CAPACITOR	6800pF 50V K	
C9113	NCB31CK-104X	C CAPACITOR	0.1uF 16V K		C9702	NCB31HK-682X	C CAPACITOR	6800pF 50V K	
C9114	NCB31CK-104X	C CAPACITOR	0.1uF 16V K		C9703	NCB31HK-471X	C CAPACITOR	470pF 50V K	
C9115	NCB31CK-104X	C CAPACITOR	0.1uF 16V K		C9704	NCB31HK-471X	C CAPACITOR	470pF 50V K	
C9116	NCB31CK-104X	C CAPACITOR	0.1uF 16V K		C9705	NCB31HK-471X	C CAPACITOR	470pF 50V K	
C9117	NCB31CK-104X	C CAPACITOR	0.1uF 16V K		C9706	NCB31HK-471X	C CAPACITOR	470pF 50V K	
C9118	NCB31CK-104X	C CAPACITOR	0.1uF 16V K		C9707	NCB31HK-821X	C CAPACITOR	820pF 50V K	
C9151	NCB31CK-104X	C CAPACITOR	0.1uF 16V K		C9708	NCB31HK-821X	C CAPACITOR	820pF 50V K	
C9152	NCS31HJ-100X	C CAPACITOR	10pF 50V J		C9709	NCS31HJ-151X	C CAPACITOR	150pF 50V J	
C9153	NCS31HJ-100X	C CAPACITOR	10pF 50V J		C9710	NCS31HJ-151X	C CAPACITOR	150pF 50V J	
C9201	QERF1CM-106Z	E CAPACITOR	10uF 16V M		C9711	NCS31HJ-330X	C CAPACITOR	33pF 50V J	
C9202	NCB31CK-104X	C CAPACITOR	0.1uF 16V K		C9712	NCS31HJ-330X	C CAPACITOR	33pF 50V J	
C9203	NCB31CK-104X	C CAPACITOR	0.1uF 16V K		C9713	QERF1EM-475Z	E CAPACITOR	4.7uF 25V M	
C9204	NCB31HK-221X	C CAPACITOR	220pF 50V K		C9714	QERF1EM-475Z	E CAPACITOR	4.7uF 25V M	
C9205	NCB31HK-221X	C CAPACITOR	220pF 50V K		C9715	NCB31HK-222X	C CAPACITOR	2200pF 50V K	
C9206	QERF1EM-475Z	E CAPACITOR	4.7uF 25V M		C9716	NCB31HK-222X	C CAPACITOR	2200pF 50V K	
C9207	NCB31CK-104X	C CAPACITOR	0.1uF 16V K		C9718	QERF1EM-475Z	E CAPACITOR	4.7uF 25V M	
C9208	QERF0JM-107Z	E CAPACITOR	100uF 6.3V M		C9721	NCB31CK-104X	C CAPACITOR	0.1uF 16V K	
C9209	NCB31CK-104X	C CAPACITOR	0.1uF 16V K		C9722	NCB31CK-104X	C CAPACITOR	0.1uF 16V K	
C9210	NCB31HK-102X	C CAPACITOR	1000pF 50V K		C9723	NCB31CK-104X	C CAPACITOR	0.1uF 16V K	
C9211	QERF0JM-107Z	E CAPACITOR	100uF 6.3V M		C9725	NCB31CK-104X	C CAPACITOR	0.1uF 16V K	
C9212	NCB31EK-223X	C CAPACITOR	0.022uF 25V K		C9726	NCB31CK-104X	C CAPACITOR	0.1uF 16V K	
C9213	NCB31HK-102X	C CAPACITOR	1000pF 50V K		C9727	NCB31CK-104X	C CAPACITOR	0.1uF 16V K	
C9214	NCB31CK-104X	C CAPACITOR	0.1uF 16V K		C9741	QERF1CM-106Z	E CAPACITOR	10uF 16V M	
C9215	NCB31HK-103X	C CAPACITOR	0.01uF 50V K		C9742	QERF1CM-106Z	E CAPACITOR	10uF 16V M	
C9216	NCB31HK-103X	C CAPACITOR	0.01uF 50V K		C9743	QERF1CM-106Z	E CAPACITOR	10uF 16V M	
C9217	NCB31HK-103X	C CAPACITOR	0.01uF 50V K		C9744	QERF1CM-106Z	E CAPACITOR	10uF 16V M	
C9218	NCB31HK-103X	C CAPACITOR	0.01uF 50V K		C9801	NCB31HK-682X	C CAPACITOR	6800pF 50V K	
C9219	NCB31HK-103X	C CAPACITOR	0.01uF 50V K		C9802	NCB31HK-332X	C CAPACITOR	3300pF 50V K	
C9220	NCB31HK-103X	C CAPACITOR	0.01uF 50V K		C9803	NCB31HK-561X	C CAPACITOR	560pF 50V K	
C9221	NCB31HK-103X	C CAPACITOR	0.01uF 50V K		C9804	NCB31HK-471X	C CAPACITOR	470pF 50V K	
C9222	NCS31HJ-100X	C CAPACITOR	10pF 50V J		C9805	NCB31HK-561X	C CAPACITOR	560pF 50V K	
C9223	NCB31HK-103X	C CAPACITOR	0.01uF 50V K		C9806	NCB31HK-471X	C CAPACITOR	470pF 50V K	
C9224	NCB31CK-104X	C CAPACITOR	0.1uF 16V K		C9807	NCB31HK-221X	C CAPACITOR	220pF 50V K	
C9225	NCB31CK-104X	C CAPACITOR	0.1uF 16V K		C9809	NCB31HK-561X	C CAPACITOR	560pF 50V K	
C9226	QERF1CM-106Z	E CAPACITOR	10uF 16V M		C9810	NCS31HJ-330X	C CAPACITOR	33pF 50V J	
C9501	QERF1EM-475Z	E CAPACITOR	4.7uF 25V M		C9811	QERF1EM-475Z	E CAPACITOR	4.7uF 25V M	
C9502	QERF1EM-475Z	E CAPACITOR	4.7uF 25V M		C9812	QERF1EM-475Z	E CAPACITOR	4.7uF 25V M	
C9505	NCS31HJ-470X	C CAPACITOR	47pF 50V J		C9813	NCB31HK-222X	C CAPACITOR	2200pF 50V K	
C9506	NCS31HJ-470X	C CAPACITOR	47pF 50V J		C9814	NCB31HK-222X	C CAPACITOR	2200pF 50V K	
C9509	NCS31HJ-220X	C CAPACITOR	22pF 50V J		C9815	NCB31CK-333X	C CAPACITOR	0.033uF 16V K	
C9510	NCS31HJ-220X	C CAPACITOR	22pF 50V J		C9816	NCB31CK-823X	C CAPACITOR	0.082uF 16V K	
C9511	NCB31CK-104X	C CAPACITOR	0.1uF 16V K		C9817	NCB31CK-333X	C CAPACITOR	0.033uF 16V K	
C9512	NCB31CK-104X	C CAPACITOR	0.1uF 16V K		C9818	NCB31CK-823X	C CAPACITOR	0.082uF 16V K	
C9515	NCB31CK-104X	C CAPACITOR	0.1uF 16V K		C9820	NCB31CK-104X	C CAPACITOR	0.1uF 16V K	
C9516	NCB31CK-104X	C CAPACITOR	0.1uF 16V K		C9821	NCB31CK-104X	C CAPACITOR	0.1uF 16V K	
C9541	QERF1CM-106Z	E CAPACITOR	10uF 16V M		C9822	NCB31CK-104X	C CAPACITOR	0.1uF 16V K	
C9542	QERF1CM-106Z	E CAPACITOR	10uF 16V M		C9823	NCB31CK-104X	C CAPACITOR	0.1uF 16V K	
C9543	QERF1CM-106Z	E CAPACITOR	10uF 16V M		C9824	QERF0JM-476Z	E CAPACITOR	47uF 6.3V M	
C9544	QERF1CM-106Z	E CAPACITOR	10uF 16V M		C9825	QERF1CM-106Z	E CAPACITOR	10uF 16V M	
C9601	NCB31HK-682X	C CAPACITOR	6800pF 50V K		C9827	QERF1CM-106Z	E CAPACITOR	10uF 16V M	
C9602	NCB31HK-682X	C CAPACITOR	6800pF 50V K		C9830	NCB31CK-104X	C CAPACITOR	0.1uF 16V K	
C9603	NCB31HK-471X	C CAPACITOR	470pF 50V K		C9831	NCB31CK-104X	C CAPACITOR	0.1uF 16V K	
C9604	NCB31HK-471X	C CAPACITOR	470pF 50V K		C9832	NCB31CK-104X	C CAPACITOR	0.1uF 16V K	
C9605	NCB31HK-471X	C CAPACITOR	470pF 50V K		C9833	NCB31CK-104X	C CAPACITOR	0.1uF 16V K	

Symbol No.	Part No.	Part Name	Description	Local
R9705	NRSA63J-472X	MG RESISTOR	4.7kΩ 1/16W J	
R9706	NRSA63J-472X	MG RESISTOR	4.7kΩ 1/16W J	
R9707	NRSA63J-181X	MG RESISTOR	180Ω 1/16W J	
R9708	NRSA63J-181X	MG RESISTOR	180Ω 1/16W J	
R9709	NRSA63J-181X	MG RESISTOR	180Ω 1/16W J	
R9710	NRSA63J-181X	MG RESISTOR	180Ω 1/16W J	
R9711	NRSA63J-472X	MG RESISTOR	4.7kΩ 1/16W J	
R9712	NRSA63J-472X	MG RESISTOR	4.7kΩ 1/16W J	
R9713	NRSA63J-103X	MG RESISTOR	10kΩ 1/16W J	
R9714	NRSA63J-103X	MG RESISTOR	10kΩ 1/16W J	
R9715	NRSA63J-103X	MG RESISTOR	10kΩ 1/16W J	
R9716	NRSA63J-103X	MG RESISTOR	10kΩ 1/16W J	
R9717	NRSA63J-103X	MG RESISTOR	10kΩ 1/16W J	
R9718	NRSA63J-103X	MG RESISTOR	10kΩ 1/16W J	
R9719	NRSA63J-0R0X	MG RESISTOR	0Ω 1/16W J	
R9720	NRSA63J-0R0X	MG RESISTOR	0Ω 1/16W J	
R9721	NRSA63J-623X	MG RESISTOR	62kΩ 1/16W J	
R9722	NRSA63J-623X	MG RESISTOR	62kΩ 1/16W J	
R9723	NRSA63J-433X	MG RESISTOR	43kΩ 1/16W J	
R9724	NRSA63J-433X	MG RESISTOR	43kΩ 1/16W J	
R9725	NRSA63J-333X	MG RESISTOR	33kΩ 1/16W J	
R9726	NRSA63J-333X	MG RESISTOR	33kΩ 1/16W J	
R9727	NRSA63J-0R0X	MG RESISTOR	0Ω 1/16W J	
R9728	NRSA63J-0R0X	MG RESISTOR	0Ω 1/16W J	
R9731	NRSA63J-104X	MG RESISTOR	100kΩ 1/16W J	
R9732	NRSA63J-104X	MG RESISTOR	100kΩ 1/16W J	
R9733	NRSA63J-102X	MG RESISTOR	1kΩ 1/16W J	
R9734	NRSA63J-102X	MG RESISTOR	1kΩ 1/16W J	
R9735	NRSA63J-822X	MG RESISTOR	8.2kΩ 1/16W J	
R9736	NRSA63J-822X	MG RESISTOR	8.2kΩ 1/16W J	
R9739	NRSA63J-105X	MG RESISTOR	1MΩ 1/16W J	
R9740	NRSA63J-222X	MG RESISTOR	2.2kΩ 1/16W J	
R9741	NRSA63J-222X	MG RESISTOR	2.2kΩ 1/16W J	
R9742	NRSA63J-104X	MG RESISTOR	100kΩ 1/16W J	
R9801	NRSA63J-472X	MG RESISTOR	4.7kΩ 1/16W J	
R9802	NRSA63J-472X	MG RESISTOR	4.7kΩ 1/16W J	
R9803	NRSA63J-472X	MG RESISTOR	4.7kΩ 1/16W J	
R9804	NRSA63J-472X	MG RESISTOR	4.7kΩ 1/16W J	
R9805	NRSA63J-181X	MG RESISTOR	180Ω 1/16W J	
R9806	NRSA63J-181X	MG RESISTOR	180Ω 1/16W J	
R9807	NRSA63J-181X	MG RESISTOR	180Ω 1/16W J	
R9808	NRSA63J-181X	MG RESISTOR	180Ω 1/16W J	
R9809	NRSA63J-362X	MG RESISTOR	3.6kΩ 1/16W J	
R9810	NRSA63J-472X	MG RESISTOR	4.7kΩ 1/16W J	
R9811	NRSA63J-362X	MG RESISTOR	3.6kΩ 1/16W J	
R9812	NRSA63J-472X	MG RESISTOR	4.7kΩ 1/16W J	
R9813	NRSA63J-103X	MG RESISTOR	10kΩ 1/16W J	
R9814	NRSA63J-563X	MG RESISTOR	56kΩ 1/16W J	
R9815	NRSA63J-103X	MG RESISTOR	10kΩ 1/16W J	
R9816	NRSA63J-473X	MG RESISTOR	47kΩ 1/16W J	
R9817	NRSA63J-104X	MG RESISTOR	100kΩ 1/16W J	
R9818	NRSA63J-104X	MG RESISTOR	100kΩ 1/16W J	
R9819	NRSA63J-102X	MG RESISTOR	1kΩ 1/16W J	
R9820	NRSA63J-102X	MG RESISTOR	1kΩ 1/16W J	
R9821	NRSA63J-822X	MG RESISTOR	8.2kΩ 1/16W J	
R9822	NRSA63J-822X	MG RESISTOR	8.2kΩ 1/16W J	
R9824	NRSA63J-103X	MG RESISTOR	10kΩ 1/16W J	
R9825	NRSA63J-103X	MG RESISTOR	10kΩ 1/16W J	
R9826	NRSA63J-100X	MG RESISTOR	10Ω 1/16W J	
R9827	NRSA63J-103X	MG RESISTOR	10kΩ 1/16W J	
R9828	NRSA63J-103X	MG RESISTOR	10kΩ 1/16W J	
R9829	NRSA63J-100X	MG RESISTOR	10Ω 1/16W J	
R9833	NRSA63J-473X	MG RESISTOR	47kΩ 1/16W J	
R9834	NRSA63J-473X	MG RESISTOR	47kΩ 1/16W J	
R9836	NRSA63J-102X	MG RESISTOR	1kΩ 1/16W J	
R9837	NRSA63J-105X	MG RESISTOR	1MΩ 1/16W J	
L9101	NQL085J-100X	COIL	10uH J	
CN901	QGB2027L1-26X	CONNECTOR	B-B (1-26)	
CN902	QGF0501F1-08X	CONNECTOR	FFC/FPC (1-8)	
K9201	NQR0269-004X	FERRITE BEADS		
X9001	QAX0719-001Z	C RESONATOR	6.144MHz	
X9101	QAX0722-001Z	CRYSTAL	24.576MHz	

Front end board

Symbol No.	Part No.	Part Name	Description	Local
IC101	AN8703FH-V	IC		
IC201	BA5983FM-X	IC		
IC251	BA6679FM-X	LSI		
IC271	CD74HC4053NS-X	IC		
△ IC301	MN103S26EDC-H	IC		
△ IC401	MN102H60GDF	IC		
IC451	BR93L66F-W-X	IC		
Q101	KTA1001/Y/-X	TRANSISTOR		
Q102	KTA1001/Y/-X	TRANSISTOR		
Q103	DTA144EE-X	DIGI TRANSISTOR		
Q401	DTC144EE-X	DIGI TRANSISTOR		
Q402	DTC144EE-X	DIGI TRANSISTOR		
D101	RB521S-30-X	SB DIODE		
D271	UDZS5.1B-X	Z DIODE		
C105	NBE40JM-476X	TA E CAPACITOR	47uF 6.3V M	
C106	NBE40JM-476X	TA E CAPACITOR	47uF 6.3V M	
C109	NCB21CK-104X	C CAPACITOR	0.1uF 16V K	
C110	NCS31HJ-221X	C CAPACITOR	220pF 50V J	
C111	NCB31CK-104X	C CAPACITOR	0.1uF 16V K	
C112	NCB31CK-104X	C CAPACITOR	0.1uF 16V K	
C113	NBE41AM-226X	TA E CAPACITOR	22uF 10V M	
C115	NCB31CK-104X	C CAPACITOR	0.1uF 16V K	
C116	NCB31CK-104X	C CAPACITOR	0.1uF 16V K	
C117	NCB31CK-473X	C CAPACITOR	0.047uF 16V K	
C118	NCB31CK-273X	C CAPACITOR	0.027uF 16V K	
C119	NCB31HK-561X	C CAPACITOR	560pF 50V K	
C120	NCB31HK-561X	C CAPACITOR	560pF 50V K	
C121	NCB31CK-104X	C CAPACITOR	0.1uF 16V K	
C122	NCS31HJ-120X	C CAPACITOR	12pF 50V J	
C123	NCB31CK-104X	C CAPACITOR	0.1uF 16V K	
C124	NCS31HJ-470X	C CAPACITOR	47pF 50V J	
C125	NCS31HJ-271X	C CAPACITOR	270pF 50V J	
C126	NCB31CK-104X	C CAPACITOR	0.1uF 16V K	
C127	NCB31CK-104X	C CAPACITOR	0.1uF 16V K	
C128	NCB31CK-104X	C CAPACITOR	0.1uF 16V K	
C129	NCB31HK-472X	C CAPACITOR	4700pF 50V K	
C135	NBE41AM-476X	TA E CAPACITOR	47uF 10V M	
C137	NBE40JM-476X	TA E CAPACITOR	47uF 6.3V M	
C138	NCB31CK-104X	C CAPACITOR	0.1uF 16V K	
C139	NCB31CK-104X	C CAPACITOR	0.1uF 16V K	
C141	NCB31CK-104X	C CAPACITOR	0.1uF 16V K	
C142	NCB31CK-104X	C CAPACITOR	0.1uF 16V K	
C143	NCB31CK-104X	C CAPACITOR	0.1uF 16V K	
C144	NCB31CK-103X	C CAPACITOR	0.01uF 16V K	
C146	NCB31CK-104X	C CAPACITOR	0.1uF 16V K	
C150	NCB31HK-102X	C CAPACITOR	1000pF 50V K	
C151	NCB31HK-102X	C CAPACITOR	1000pF 50V K	
C152	NCB31HK-102X	C CAPACITOR	1000pF 50V K	
C153	NCB31HK-102X	C CAPACITOR	1000pF 50V K	
C201	NEA71CM-107X	E CAPACITOR	100uF 16V M	
C202	NEA71CM-107X	E CAPACITOR	100uF 16V M	
C203	NCB31CK-104X	C CAPACITOR	0.1uF 16V K	
C204	NCB31CK-104X	C CAPACITOR	0.1uF 16V K	
C205	NCS31HJ-121X	C CAPACITOR	120pF 50V J	
C207	NCS31HJ-391X	C CAPACITOR	390pF 50V J	
C208	NCS31HJ-391X	C CAPACITOR	390pF 50V J	
C210	NCB31HK-223X	C CAPACITOR	0.022uF 50V K	
C215	NCB31CK-104X	C CAPACITOR	0.1uF 16V K	
C217	NCB31CK-104X	C CAPACITOR	0.1uF 16V K	
C251	NCB31CK-104X	C CAPACITOR	0.1uF 16V K	
C252	NEA71CM-107X	E CAPACITOR	100uF 16V M	
C253	NCB31CK-104X	C CAPACITOR	0.1uF 16V K	
C256	NCB31CK-104X	C CAPACITOR	0.1uF 16V K	
C257	NCB31CK-104X	C CAPACITOR	0.1uF 16V K	
C258	NCB31CK-104X	C CAPACITOR	0.1uF 16V K	
C259	NCB31CK-104X	C CAPACITOR	0.1uF 16V K	
C260	NCB31CK-104X	C CAPACITOR	0.1uF 16V K	
C261	NCB31CK-104X	C CAPACITOR	0.1uF 16V K	
C262	NCB31CK-104X	C CAPACITOR	0.1uF 16V K	
C263	NCB31CK-104X	C CAPACITOR	0.1uF 16V K	
C264	NCB31CK-103X	C CAPACITOR	0.01uF 16V K	

Block No. [0][6]

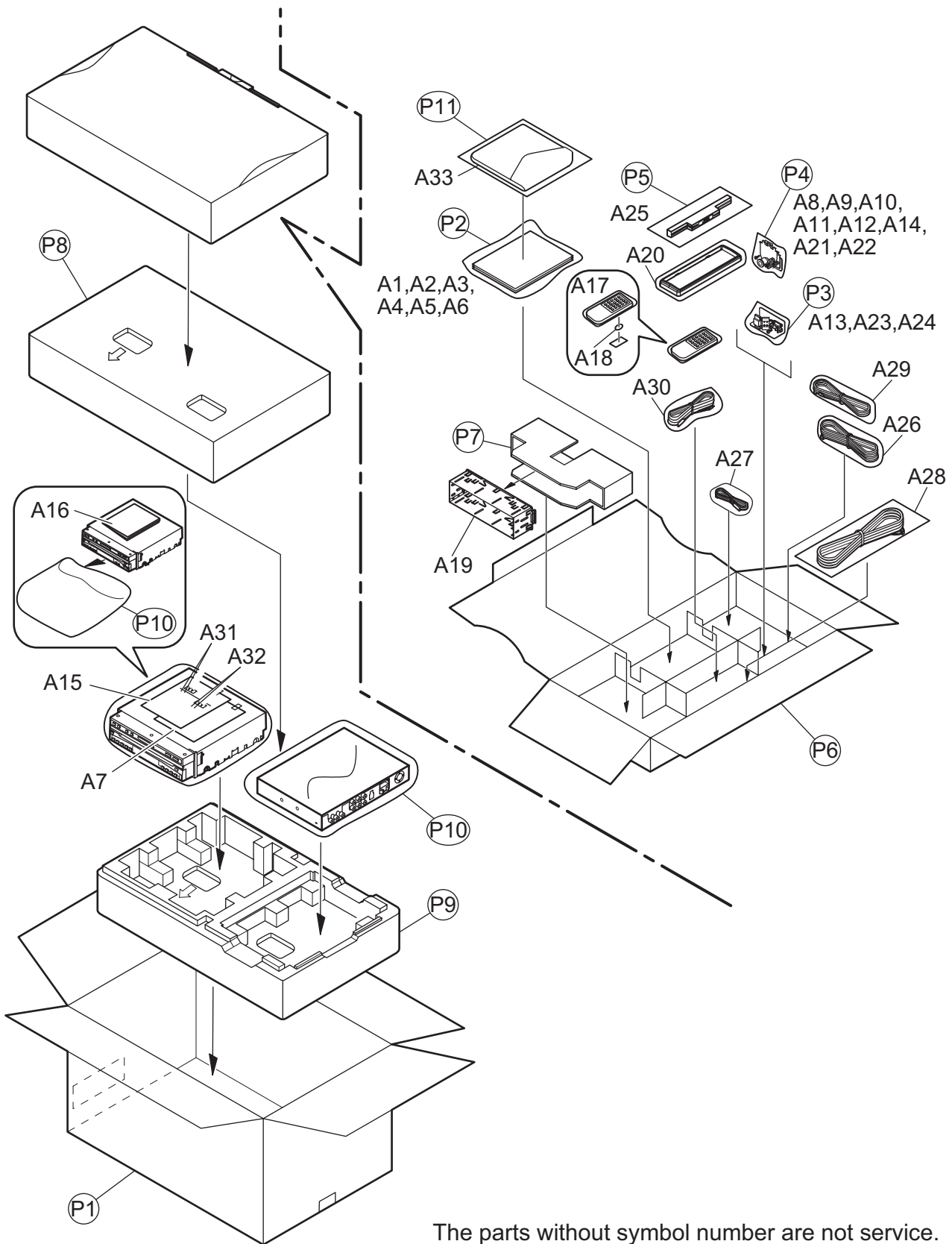
△ Symbol No.	Part No.	Part Name	Description	Local	△ Symbol No.	Part No.	Part Name	Description	Local
C271	NCB21CK-105X	C CAPACITOR	1uF 16V K		R120	NRSA63J-2R2X	MG RESISTOR	2.2Ω 1/16W J	
C272	NCB21CK-105X	C CAPACITOR	1uF 16V K		R125	NRSA63J-105X	MG RESISTOR	1MΩ 1/16W J	
C301	NCB31CK-104X	C CAPACITOR	0.1uF 16V K		R126	NRSA63J-105X	MG RESISTOR	1MΩ 1/16W J	
C302	NCB31CK-104X	C CAPACITOR	0.1uF 16V K		R127	NRSA63J-222X	MG RESISTOR	2.2kΩ 1/16W J	
C303	NCB31CK-104X	C CAPACITOR	0.1uF 16V K		R128	NRS125J-1R0X	MG RESISTOR	1Ω 1/2W J	
C304	NBE40JM-476X	TA E CAPACITOR	47uF 6.3V M		R129	NRS125J-1R0X	MG RESISTOR	1Ω 1/2W J	
C305	NBE20JM-106X	TA E CAPACITOR	10uF 6.3V M		R130	NRSA63J-182X	MG RESISTOR	1.8kΩ 1/16W J	
C306	NBE40JM-476X	TA E CAPACITOR	47uF 6.3V M		R131	NRSA63J-473X	MG RESISTOR	47kΩ 1/16W J	
C308	NBE40GM-476X	TA E CAPACITOR	47uF 4V M		R201	NRSA63J-470X	MG RESISTOR	47Ω 1/16W J	
C310	NCB31CK-104X	C CAPACITOR	0.1uF 16V K		R202	NRS125J-1R0X	MG RESISTOR	1Ω 1/2W J	
C311	NCB31HK-561X	C CAPACITOR	560pF 50V K		R203	NRSA63J-0R0X	MG RESISTOR	0Ω 1/16W J	
C312	NCB31HK-561X	C CAPACITOR	560pF 50V K		R204	NRSA63J-563X	MG RESISTOR	56kΩ 1/16W J	
C313	NCB31HK-561X	C CAPACITOR	560pF 50V K		R205	NRSA63J-273X	MG RESISTOR	27kΩ 1/16W J	
C314	NCB31HK-331X	C CAPACITOR	330pF 50V K		R206	NRSA63J-303X	MG RESISTOR	30kΩ 1/16W J	
C315	NCB31HK-471X	C CAPACITOR	470pF 50V K		R207	NRSA63J-683X	MG RESISTOR	68kΩ 1/16W J	
C316	NCS31HJ-271X	C CAPACITOR	270pF 50V J		R208	NRSA63J-223X	MG RESISTOR	22kΩ 1/16W J	
C317	NCS31HJ-121X	C CAPACITOR	120pF 50V J		R209	NRSA63J-223X	MG RESISTOR	22kΩ 1/16W J	
C318	NCB31CK-104X	C CAPACITOR	0.1uF 16V K		R210	NRSA63J-103X	MG RESISTOR	10kΩ 1/16W J	
C319	NCB31HK-102X	C CAPACITOR	1000pF 50V K		R211	NRSA63J-103X	MG RESISTOR	10kΩ 1/16W J	
C320	NCB31HK-102X	C CAPACITOR	1000pF 50V K		R212	NRSA63J-103X	MG RESISTOR	10kΩ 1/16W J	
C321	NCB31HK-102X	C CAPACITOR	1000pF 50V K		R216	NRSA63J-0R0X	MG RESISTOR	0Ω 1/16W J	
C322	NCB31HK-562X	C CAPACITOR	5600pF 50V K		R217	NRSA63J-181X	MG RESISTOR	180Ω 1/16W J	
C323	NCB31HK-102X	C CAPACITOR	1000pF 50V K		R219	NRSA63J-183X	MG RESISTOR	18kΩ 1/16W J	
C324	NCB31CK-104X	C CAPACITOR	0.1uF 16V K		R220	NRSA63J-243X	MG RESISTOR	24kΩ 1/16W J	
C325	NCS31HJ-470X	C CAPACITOR	47pF 50V J		R221	NRSA63J-103X	MG RESISTOR	10kΩ 1/16W J	
C326	NCB31CK-183X	C CAPACITOR	0.018uF 16V K		R222	NRSA63J-103X	MG RESISTOR	10kΩ 1/16W J	
C327	NCB31HK-102X	C CAPACITOR	1000pF 50V K		R223	NRSA63J-0R0X	MG RESISTOR	0Ω 1/16W J	
C328	NCB31CK-104X	C CAPACITOR	0.1uF 16V K		R251	NRS125J-R47X	MG RESISTOR	0.47Ω 1/2W J	
C329	NCB31CK-103X	C CAPACITOR	0.01uF 16V K		R252	NRSA63J-2R2X	MG RESISTOR	2.2Ω 1/16W J	
C330	NCB31CK-104X	C CAPACITOR	0.1uF 16V K		R253	NRSA63J-0R0X	MG RESISTOR	0Ω 1/16W J	
C331	NCB31CK-103X	C CAPACITOR	0.01uF 16V K		R254	NRSA63J-203X	MG RESISTOR	20kΩ 1/16W J	
C332	NCB21CK-105X	C CAPACITOR	1uF 16V K		R255	NRSA63J-0R0X	MG RESISTOR	0Ω 1/16W J	
C333	NCB31CK-104X	C CAPACITOR	0.1uF 16V K		R256	NRSA63J-470X	MG RESISTOR	47Ω 1/16W J	
C334	NCB31CK-104X	C CAPACITOR	0.1uF 16V K		R258	NRSA63J-0R0X	MG RESISTOR	0Ω 1/16W J	
C335	NCB31CK-153X	C CAPACITOR	0.015uF 16V K		R259	NRSA63J-103X	MG RESISTOR	10kΩ 1/16W J	
C336	NCB31CK-103X	C CAPACITOR	0.01uF 16V K		R271	NRSA63J-473X	MG RESISTOR	47kΩ 1/16W J	
C337	NCB31CK-104X	C CAPACITOR	0.1uF 16V K		R272	NRSA63J-0R0X	MG RESISTOR	0Ω 1/16W J	
C338	NCB31CK-104X	C CAPACITOR	0.1uF 16V K		R273	NRSA63J-681X	MG RESISTOR	680Ω 1/16W J	
C339	NCB31CK-104X	C CAPACITOR	0.1uF 16V K		R274	NRSA63J-271X	MG RESISTOR	270Ω 1/16W J	
C340	NCB31CK-104X	C CAPACITOR	0.1uF 16V K		R275	NRSA63J-471X	MG RESISTOR	470Ω 1/16W J	
C341	NCB31CK-104X	C CAPACITOR	0.1uF 16V K		R276	NRSA63J-331X	MG RESISTOR	330Ω 1/16W J	
C342	NCB31CK-104X	C CAPACITOR	0.1uF 16V K		R281	NRSA63J-561X	MG RESISTOR	560Ω 1/16W J	
C343	NCB31CK-104X	C CAPACITOR	0.1uF 16V K		R282	NRSA63J-391X	MG RESISTOR	390Ω 1/16W J	
C344	NCB31CK-104X	C CAPACITOR	0.1uF 16V K		R283	NRSA63J-103X	MG RESISTOR	10kΩ 1/16W J	
C345	NCB31CK-104X	C CAPACITOR	0.1uF 16V K		R284	NRSA63J-102X	MG RESISTOR	1kΩ 1/16W J	
C346	NCB31CK-104X	C CAPACITOR	0.1uF 16V K		R291	NRSA63J-561X	MG RESISTOR	560Ω 1/16W J	
C347	NCB31CK-104X	C CAPACITOR	0.1uF 16V K		R292	NRSA63J-391X	MG RESISTOR	390Ω 1/16W J	
C348	NCB31CK-104X	C CAPACITOR	0.1uF 16V K		R293	NRSA63J-103X	MG RESISTOR	10kΩ 1/16W J	
C349	NCB31CK-104X	C CAPACITOR	0.1uF 16V K		R294	NRSA63J-102X	MG RESISTOR	1kΩ 1/16W J	
C350	NCB31CK-104X	C CAPACITOR	0.1uF 16V K		R301	NRSA63J-473X	MG RESISTOR	47kΩ 1/16W J	
C401	NBE40JM-476X	TA E CAPACITOR	47uF 6.3V M		R302	NRSA63J-473X	MG RESISTOR	47kΩ 1/16W J	
C402	NCB31HK-103X	C CAPACITOR	0.01uF 50V K		R303	NRSA63J-473X	MG RESISTOR	47kΩ 1/16W J	
C403	NCB31CK-104X	C CAPACITOR	0.1uF 16V K		R304	NRSA63J-473X	MG RESISTOR	47kΩ 1/16W J	
C404	NCB31CK-104X	C CAPACITOR	0.1uF 16V K		R305	NRSA63J-473X	MG RESISTOR	47kΩ 1/16W J	
C405	NCB31CK-104X	C CAPACITOR	0.1uF 16V K		R306	NRSA63J-473X	MG RESISTOR	47kΩ 1/16W J	
C406	NCB31CK-104X	C CAPACITOR	0.1uF 16V K		R307	NRSA63J-473X	MG RESISTOR	47kΩ 1/16W J	
C407	NCB31CK-104X	C CAPACITOR	0.1uF 16V K		R308	NRSA63J-0R0X	MG RESISTOR	0Ω 1/16W J	
C409	NDC31HJ-330X	C CAPACITOR	33pF 50V J		R309	NRSA63J-473X	MG RESISTOR	47kΩ 1/16W J	
C450	NCB31CK-104X	C CAPACITOR	0.1uF 16V K		R313	NRSA63J-473X	MG RESISTOR	47kΩ 1/16W J	
					R317	NRSA63J-473X	MG RESISTOR	47kΩ 1/16W J	
R101	NRSA63J-333X	MG RESISTOR	33kΩ 1/16W J		R319	NRSA63J-473X	MG RESISTOR	47kΩ 1/16W J	
R102	NRSA63J-223X	MG RESISTOR	22kΩ 1/16W J		R320	NRSA63J-105X	MG RESISTOR	1MΩ 1/16W J	
R103	NRSA63J-223X	MG RESISTOR	22kΩ 1/16W J		R321	NRSA63J-473X	MG RESISTOR	47kΩ 1/16W J	
R104	NRS125J-270X	MG RESISTOR	27Ω 1/2W J		R323	NRSA63J-473X	MG RESISTOR	47kΩ 1/16W J	
R105	NRS125J-270X	MG RESISTOR	27Ω 1/2W J		R324	NRSA63J-473X	MG RESISTOR	47kΩ 1/16W J	
R106	NRSA63J-273X	MG RESISTOR	27kΩ 1/16W J		R325	NRSA63J-123X	MG RESISTOR	12kΩ 1/16W J	
R107	NRSA63J-273X	MG RESISTOR	27kΩ 1/16W J		R326	NRSA63J-473X	MG RESISTOR	47kΩ 1/16W J	
R108	NRSA63J-222X	MG RESISTOR	2.2kΩ 1/16W J		R327	NRSA63J-105X	MG RESISTOR	1MΩ 1/16W J	
R109	NRSA63J-182X	MG RESISTOR	1.8kΩ 1/16W J		R328	NRSA63J-153X	MG RESISTOR	15kΩ 1/16W J	
R110	NRSA63J-333X	MG RESISTOR	33kΩ 1/16W J		R329	NRSA63J-473X	MG RESISTOR	47kΩ 1/16W J	
R111	NRVA63D-243X	CMF RESISTOR	24kΩ 1/16W D		R330	NRSA63J-473X	MG RESISTOR	47kΩ 1/16W J	
R112	NRSA63J-822X	MG RESISTOR	8.2kΩ 1/16W J		R331	NRSA63J-473X	MG RESISTOR	47kΩ 1/16W J	
R113	NRSA63J-103X	MG RESISTOR	10kΩ 1/16W J		R332	NRSA63J-102X	MG RESISTOR	1kΩ 1/16W J	
R114	NRSA63J-0R0X	MG RESISTOR	0Ω 1/16W J		R333	NRSA63J-183X	MG RESISTOR	18kΩ 1/16W J	
R115	NRSA63J-0R0X	MG RESISTOR	0Ω 1/16W J		R334	NRSA63J-102X	MG RESISTOR	1kΩ 1/16W J	
R116	NRSA63J-0R0X	MG RESISTOR	0Ω 1/16W J		R336	NRSA63J-273X	MG RESISTOR	27kΩ 1/16W J	
R117	NRSA63J-0R0X	MG RESISTOR	0Ω 1/16W J		R337	NRSA63J-273X	MG RESISTOR	27kΩ 1/16W J	
R119	NRSA63J-2R2X	MG RESISTOR	2.2Ω 1/16W J		R338	NRSA63J-472X	MG RESISTOR	4.7kΩ 1/16W J	

△ Symbol No.	Part No.	Part Name	Description	Local
R339	NRSA63J-472X	MG RESISTOR	4.7kΩ 1/16W J	
R340	NRSA63J-103X	MG RESISTOR	10kΩ 1/16W J	
R341	NRSA63J-562X	MG RESISTOR	5.6kΩ 1/16W J	
R342	NRSA63J-103X	MG RESISTOR	10kΩ 1/16W J	
R343	NRSA63J-103X	MG RESISTOR	10kΩ 1/16W J	
R347	NRSA63J-101X	MG RESISTOR	100Ω 1/16W J	
R348	NRSA63J-101X	MG RESISTOR	100Ω 1/16W J	
R349	NRSA63J-101X	MG RESISTOR	100Ω 1/16W J	
R350	NRSA63J-101X	MG RESISTOR	100Ω 1/16W J	
R351	NRSA63J-101X	MG RESISTOR	100Ω 1/16W J	
R352	NRSA63J-101X	MG RESISTOR	100Ω 1/16W J	
R353	NRSA63J-101X	MG RESISTOR	100Ω 1/16W J	
R354	NRSA63J-101X	MG RESISTOR	100Ω 1/16W J	
R355	NRSA63J-101X	MG RESISTOR	100Ω 1/16W J	
R356	NRSA63J-101X	MG RESISTOR	100Ω 1/16W J	
R357	NRSA63J-101X	MG RESISTOR	100Ω 1/16W J	
R358	NRSA63J-101X	MG RESISTOR	100Ω 1/16W J	
R359	NRSA63J-0R0X	MG RESISTOR	0Ω 1/16W J	
R360	NRSA63J-0R0X	MG RESISTOR	0Ω 1/16W J	
R361	NRSA63J-0R0X	MG RESISTOR	0Ω 1/16W J	
R362	NRSA63J-0R0X	MG RESISTOR	0Ω 1/16W J	
R363	NRSA63J-0R0X	MG RESISTOR	0Ω 1/16W J	
R364	NRSA63J-0R0X	MG RESISTOR	0Ω 1/16W J	
R365	NRSA63J-0R0X	MG RESISTOR	0Ω 1/16W J	
R366	NRSA63J-0R0X	MG RESISTOR	0Ω 1/16W J	
R367	NRSA63J-0R0X	MG RESISTOR	0Ω 1/16W J	
R368	NRSA63J-0R0X	MG RESISTOR	0Ω 1/16W J	
R369	NRSA63J-0R0X	MG RESISTOR	0Ω 1/16W J	
R370	NRSA63J-0R0X	MG RESISTOR	0Ω 1/16W J	
R371	NRSA63J-0R0X	MG RESISTOR	0Ω 1/16W J	
R372	NRSA63J-0R0X	MG RESISTOR	0Ω 1/16W J	
R373	NRSA63J-0R0X	MG RESISTOR	0Ω 1/16W J	
R402	NRSA63J-472X	MG RESISTOR	4.7kΩ 1/16W J	
R411	NRSA63J-472X	MG RESISTOR	4.7kΩ 1/16W J	
R413	NRSA63J-472X	MG RESISTOR	4.7kΩ 1/16W J	
R414	NRSA63J-472X	MG RESISTOR	4.7kΩ 1/16W J	
R421	NRSA63J-0R0X	MG RESISTOR	0Ω 1/16W J	
R422	NRSA63J-103X	MG RESISTOR	10kΩ 1/16W J	
R423	NRSA63J-103X	MG RESISTOR	10kΩ 1/16W J	
R424	NRSA63J-472X	MG RESISTOR	4.7kΩ 1/16W J	
R425	NRSA63J-103X	MG RESISTOR	10kΩ 1/16W J	
R427	NRSA63J-680X	MG RESISTOR	68Ω 1/16W J	
R428	NRSA63J-472X	MG RESISTOR	4.7kΩ 1/16W J	
R429	NRSA63J-473X	MG RESISTOR	47kΩ 1/16W J	
R431	NRSA63J-472X	MG RESISTOR	4.7kΩ 1/16W J	
R432	NRSA63J-472X	MG RESISTOR	4.7kΩ 1/16W J	
R433	NRSA63J-473X	MG RESISTOR	47kΩ 1/16W J	
R434	NRSA63J-103X	MG RESISTOR	10kΩ 1/16W J	
R435	NRSA63J-104X	MG RESISTOR	100kΩ 1/16W J	
R436	NRSA63J-0R0X	MG RESISTOR	0Ω 1/16W J	
R437	NRSA63J-0R0X	MG RESISTOR	0Ω 1/16W J	
R438	NRSA63J-0R0X	MG RESISTOR	0Ω 1/16W J	
R439	NRSA63J-0R0X	MG RESISTOR	0Ω 1/16W J	
R440	NRSA63J-101X	MG RESISTOR	100Ω 1/16W J	
R441	NRSA63J-0R0X	MG RESISTOR	0Ω 1/16W J	
R442	NRSA63J-101X	MG RESISTOR	100Ω 1/16W J	
R443	NRSA63J-0R0X	MG RESISTOR	0Ω 1/16W J	
CN101	QGF0522F1-30W	CONNECTOR	FFC/FPC (1-30)	
CN201	QGF1038F1-11X	CONNECTOR	FFC/FPC (1-11)	
CN202	QGF0523F1-05W	CONNECTOR	FFC/FPC (1-5)	
CN401	QGF0534F1-50X	CONNECTOR	FFC/FPC (1-50)	
K101	NQR0007-002X	FERRITE BEADS		
K301	NQR0007-002X	FERRITE BEADS		
K302	NQR0007-002X	FERRITE BEADS		
K303	NQR0007-002X	FERRITE BEADS		
K304	NQR0007-002X	FERRITE BEADS		
K401	NQR0007-002X	FERRITE BEADS		
SW4	NSW0184-001X	DETECT SW		
SW5	NSW0183-001X	DETECT SW		
X301	NAX0542-001X	C RESONATOR	16.93MHz	
X401	NAX0543-001X	C RESONATOR	13.50MHz	

Packing materials and accessories parts list

Block No. **M 3 M M**

No additional / supplemental order of WARRANTY CARDS are available



The parts without symbol number are not service.

Packing and Accessories

Block No. [M][3][M][M]

△	Symbol No.	Part No.	Part Name	Description	Local
	A 1	LVT1369-001A	INST BOOK		
	A 2	LVT1369-002A	INSTALL MANUAL		
	A 3	LVT1175-001A	IMPORTANT SHEET		
	A 4	-----	WARRANTY CARD	BT-51018-4	
	A 5	-----	J=REGIST CARD	BT-51034-2	
	A 6	-----	WARRANTY CARD	BT-52006-2	
	A 7	LVT1318-001A	CAUTION SHEET		
	A 8	VKZ4027-202	PLUG NUT		
	A 9	VKH4871-003	MOUNT BOLT		
	A 10	VKZ4328-003	LOCK NUT		
	A 11	QYWSS50A010ZA	WASHER	0.1mm/5mm x	
	A 12	LV35136-001A	HOOK	(x2)	
	A 13	LV41478-002A	CORD CONNECTOR	(x2)	
	A 14	LV35135-002A	SIDE SPRING B	(x2)	
	A 15	LV44141-001A	CAUTION SHEET		
	A 16	LV44311-003A	CAUTION SHEET		
	A 17	RM-RK220	REMOCON		
	A 18	-----	BATTERY		
	A 19	LV21778-001A	MOUNTING SLEEVE		
	A 20	LV21779-001A	TRIM PLATE		
	A 21	LV35134-002A	SIDE SPRING A	(x2)	
	A 22	QYSSSP5006ZA	SCREW	M5 x 6mm(x2)	
	A 23	LV34912-002A	SIDE BKT	(x2)	
	A 24	QYSDSP4008MA	SCREW	M4 x 8mm(x4)	
	A 25	LV10992-001A	BLIND COVER		
	A 26	QAM0612-001	CAR CABLE	AV bus cable-2.5m	
	A 27	QAM0755-001	CAR CABLE	For main unit	
	A 28	QAM0625-001	CAR CABLE	For hideaway unit	
	A 29	QAM0616-001	CAR CABLE	Center SPK/rear camera cord	
	A 30	QAM0615-001	CAR CABLE	EXT. ANT. cord	
	A 31	VKZ4777-008	MINI SCREW	(x2)	
	A 32	QYSDSF2006MA	TAP SCREW	M2 x 6mm(x2)	
	A 33	LV44039-003A	SOFT CASE		
	P 1	LV36064-001A	CARTON		
	P 2	FSPG4002-001	POLY BAG		
	P 3	QPA01001205	POLY BAG	10cm x 12cm	
	P 4	QPA01001205	POLY BAG	10cm x 12cm	
	P 5	QPA01003003	POLY BAG	10cm x 30cm	
	P 6	LV35157-001A	ACCESSORY BOX		
	P 7	LV35441-001A	SPACER		
	P 8	LV10947-002A	CUSHION(TOP)		
	P 9	LV10948-002A	CUSHION(BOTTOM)		
	P 10	QPC03004315P	POLY BAG	30cm x 43cm(x2)	
	P 11	QPA01703505P	POLY BAG	17cm x 35cm	